

# Atmosfera® RISE

## CEILING BAFFLES

LAST UPDATED  
INQUIRIES

01—2023  
INFO @ NOWN.COM

**NOWN**  
A R K T U R A

**SIMPLY  
ELEVATED**



FOLLOW @ NOWN OFFICIAL

YOUTUBE

INSTAGRAM

FACEBOOK

LINKEDIN



**KEY FEATURES**



**INSPIRATION**



**OVERVIEW**



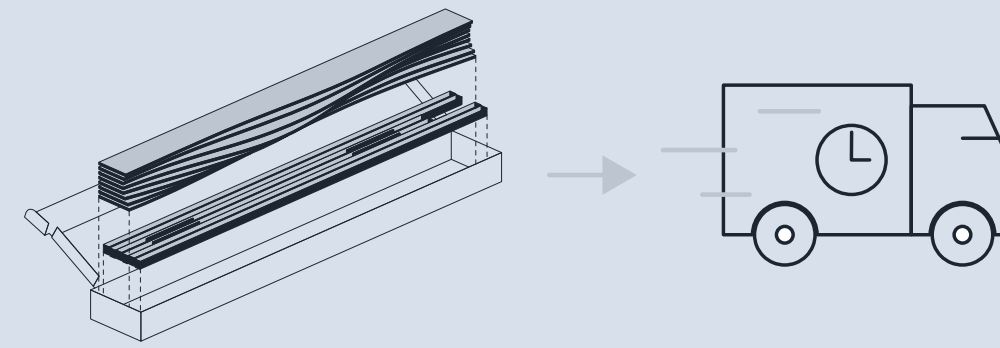
**ACOUSTIC PERFORMANCE**



**PRODUCT LINE**

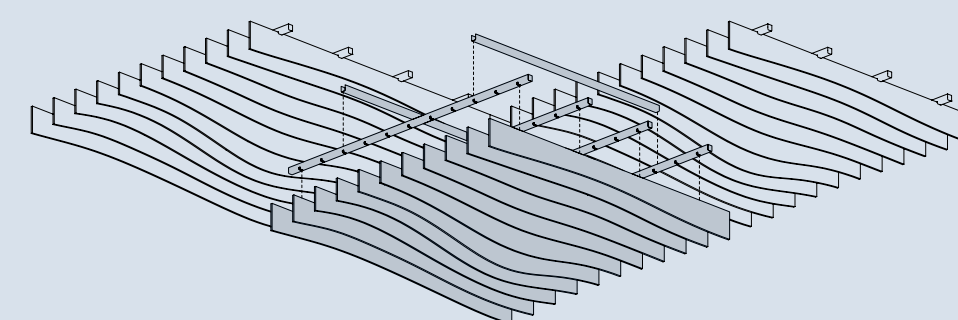
Rise's ceiling baffles form a faceted series of geometric planes, it's sharp angles keep your eye engaged along its path as it continues to cut back and forth peeling away new layers.

But don't worry, the path is a quiet one thanks to the Soft Sound® fins which provide acoustic control to any space on Rise's trail.



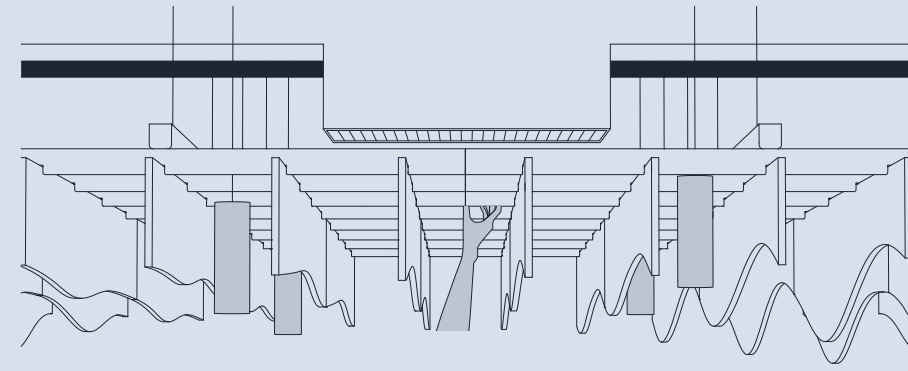
Because they're preconfigured, production starts as soon as you order. Once complete Atmosfera®'s easy-to-assemble modules are promptly shipped, helping you cut down installation times and meet your project deadlines.

01) Faster Shipping & Installation

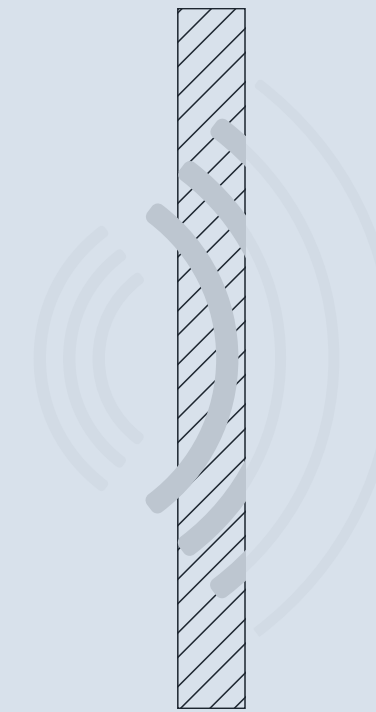


For a custom look without the custom price tag, pre-configured Atmosfera® modules offer innovative design impact with a quick and easy installation process. Achieve a cleaner design in a fraction of the time versus independently hung baffles.

02) Preconfigured Designs & Sizes



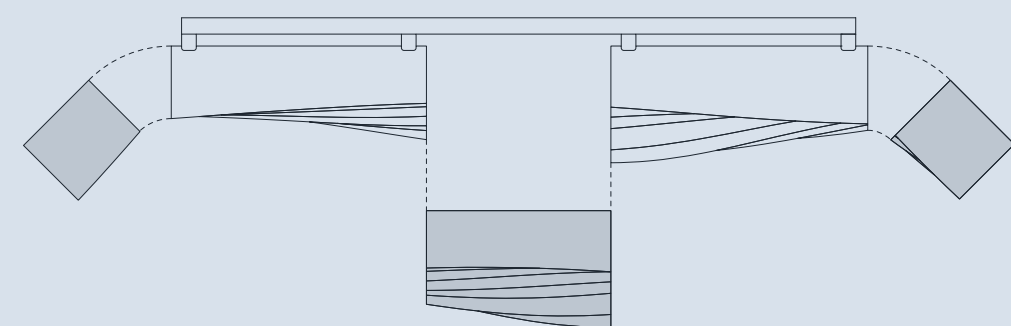
Atmosfera®'s open design makes integrating systems above or below the modules simple and feasible. Easily removable fins and open structure makes accessing lights, HVAC, rigging points, plumbing, AV equipment, and life safety systems easy for your maintenance team.



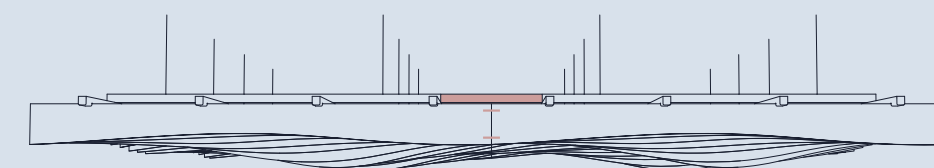
Atmosfera®'s Soft Sound® material reduces the impact of noise from everyday annoyances like ringing, typing, and chatter resulting in a more pleasant and productive environment. Atmosfera®'s material works in concert with the design to help reduce and control reverberations leaving a lasting impression at scales ranging from assembly halls to conference rooms.

03) Open Accessibility in Plan

04) Reduce Noise & Enhance Acoustics



This system allows for some simple modification that can allow it to adapt to your space without having to design a custom system.



Utilizing a hidden fin and frame alignment system Atmosfera provides continuity in all directions across your space. Our custom formulated material thickness and density ensures rigidity that limits deflection.

05) Easily Field Modifiable

06) Continuous Straight Baffles



Hide & Integrate Building Systems with Ample Fin Spacing & Depth

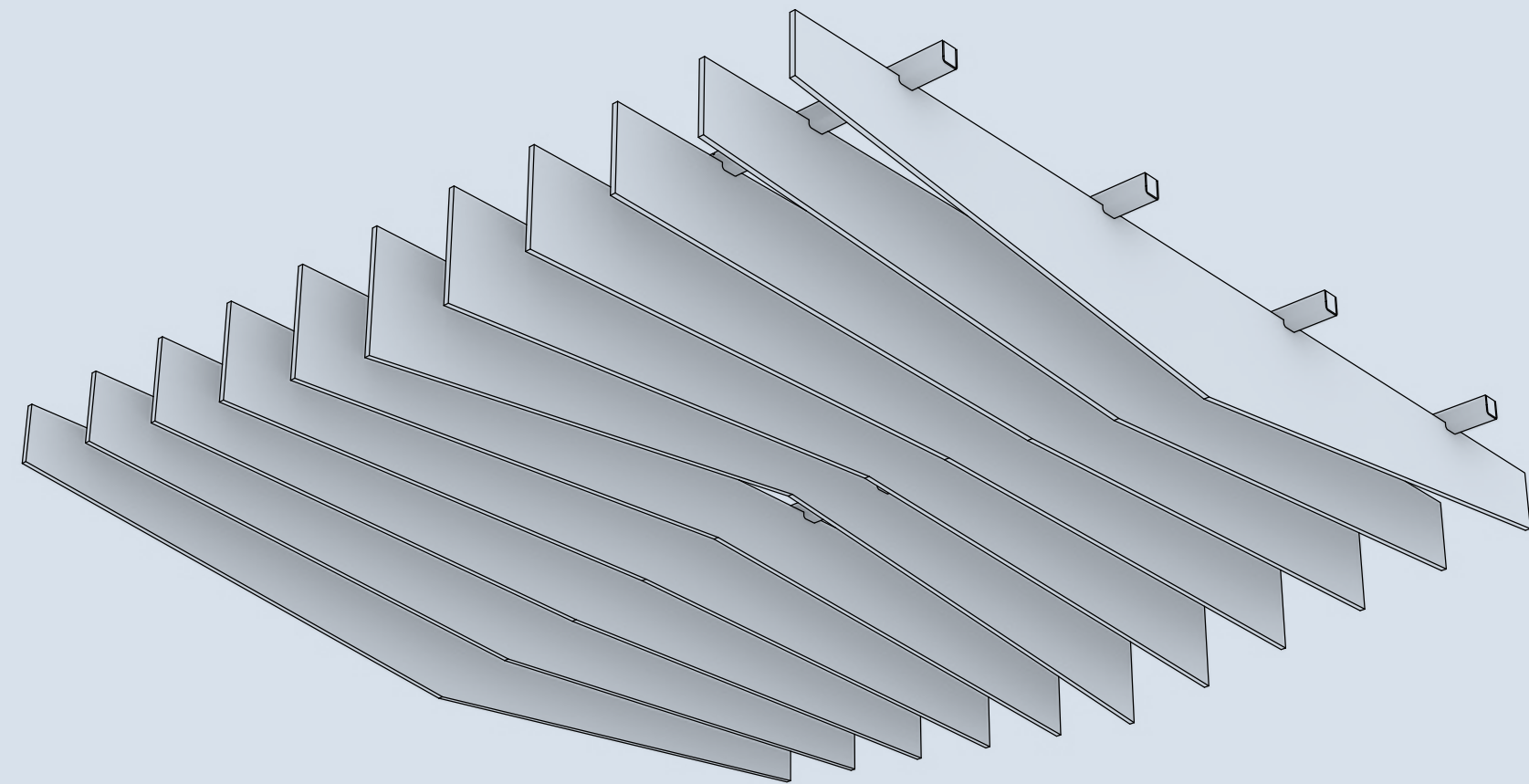


Dynamic Lighting Effect



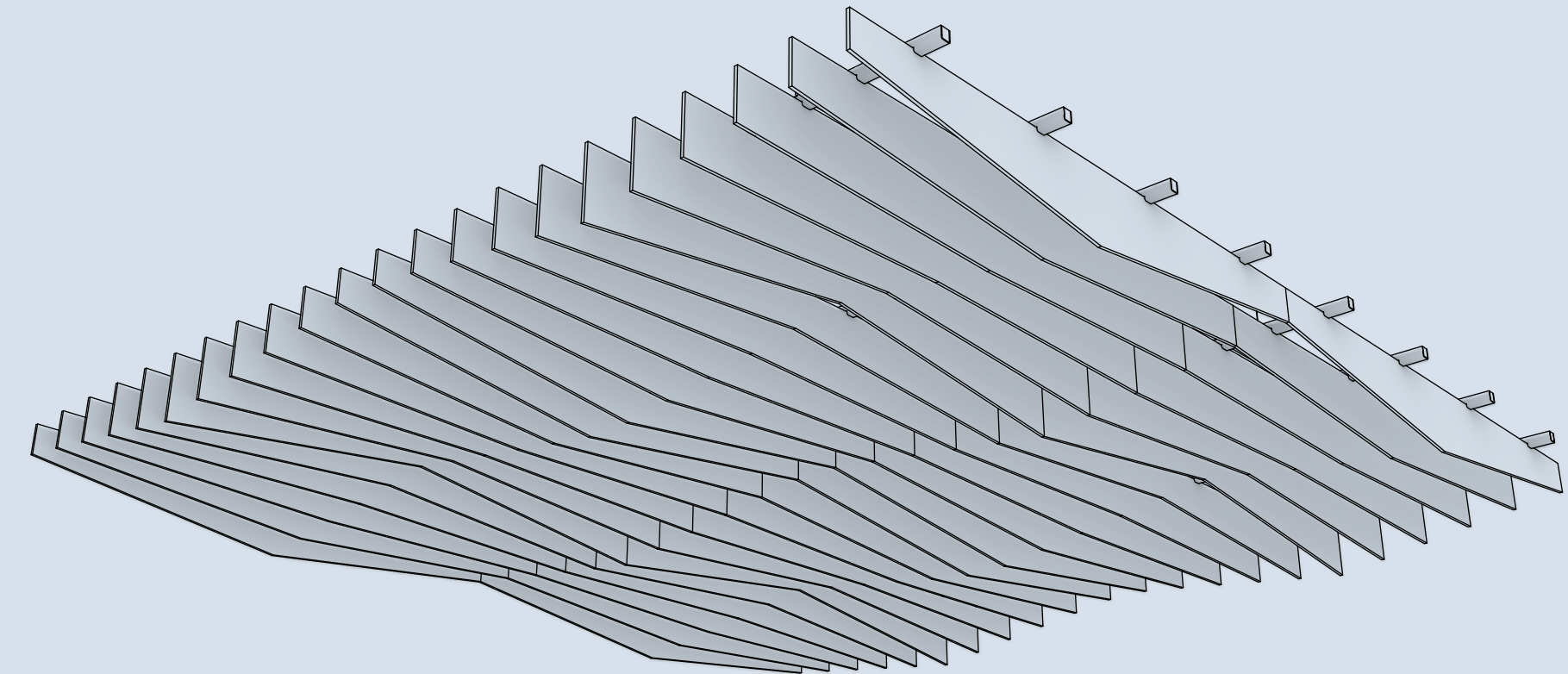
Unique Acoustic Solution

(A) Understanding the System (B) Available Finishes (C) Product Specifications



Modules consist of fins made from Arktura's lightweight & durable Soft Sound® acoustical material supported by stainless steel ribs.

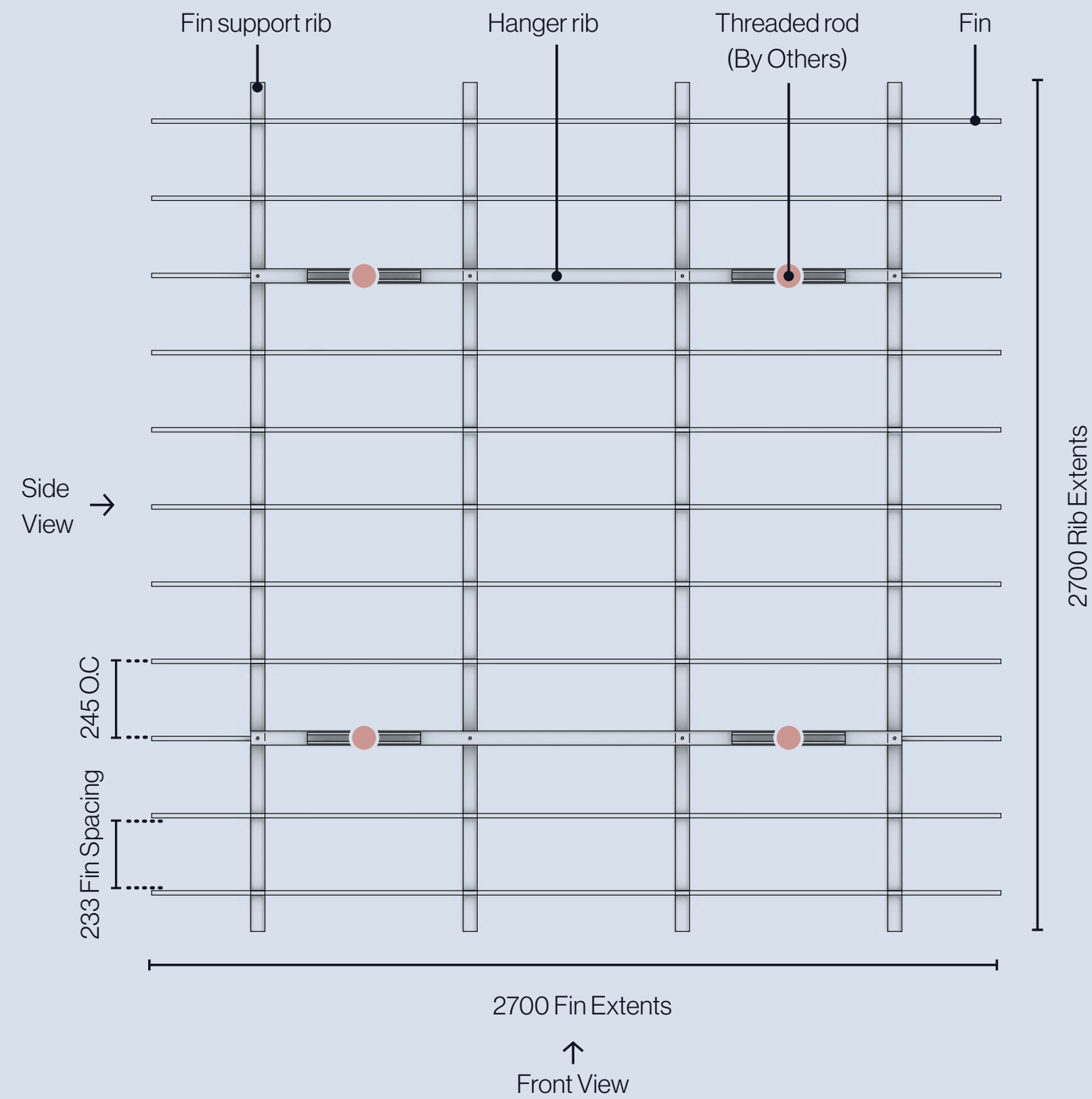
01) Standard Module



Modules can be seamlessly tiled in multiple directions in plan.

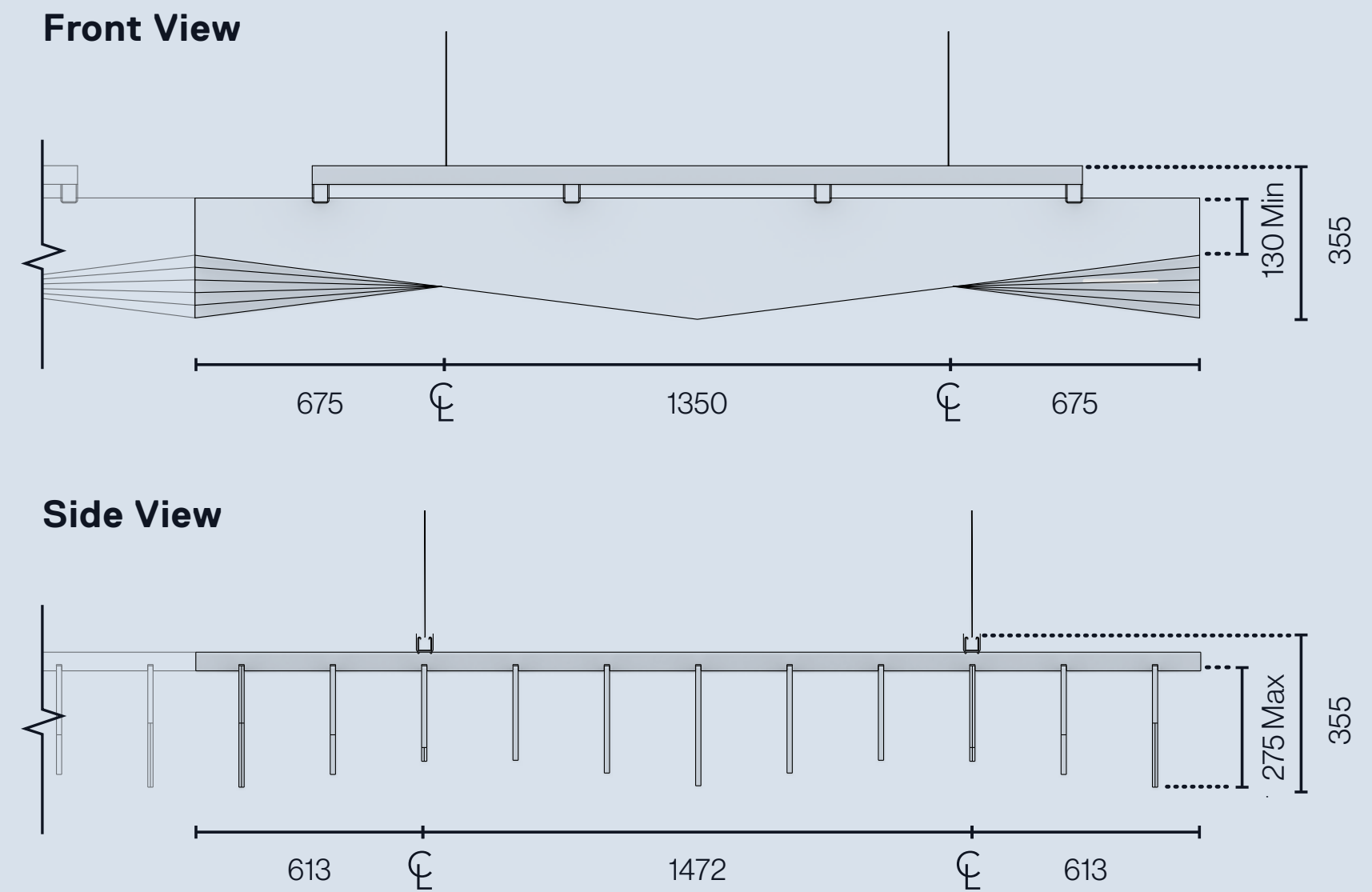
02) Designing with Modules

(A) Understanding the System (B) Available Finishes (C) Product Specifications



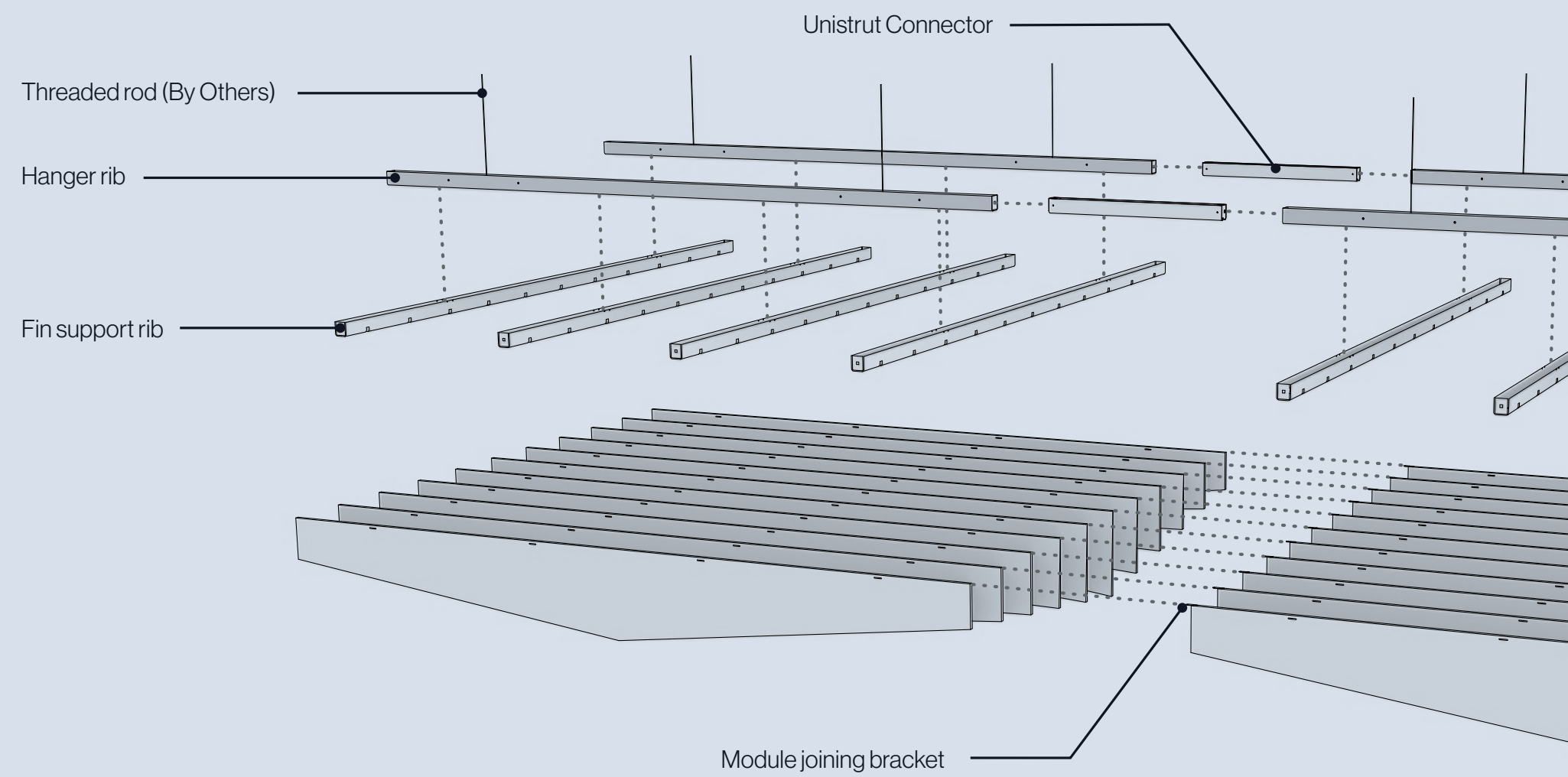
**PLAN**  
86% open in plan.

Atmosfera® Rise lets you design linear layouts in plan. Create seamless designs for your desired look while adapting to and concealing building elements such as sensors, sprinklers, and lighting.

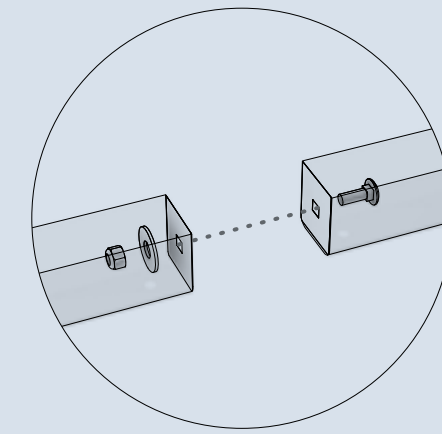


**ELEVATIONS**

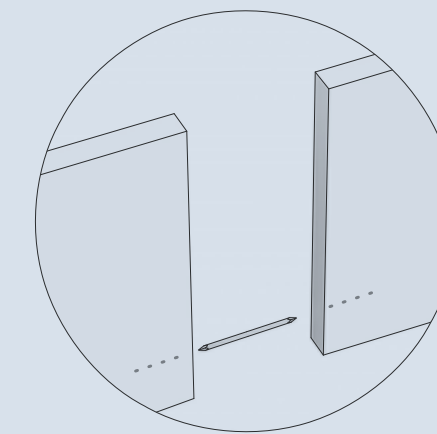
(A) Understanding the System (B) Available Finishes (C) Product Specifications



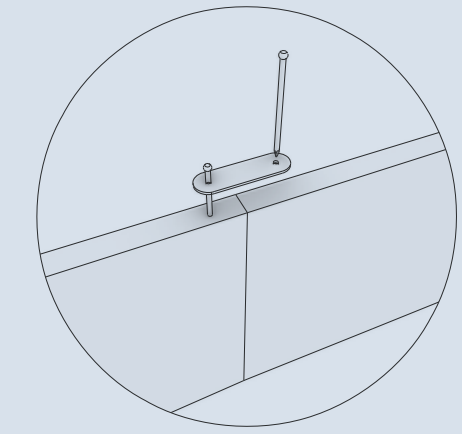
Atmosfera® is designed for ease of install and assembly. Use available joining brackets to achieve seamless fin to fin connections across modules with ease.



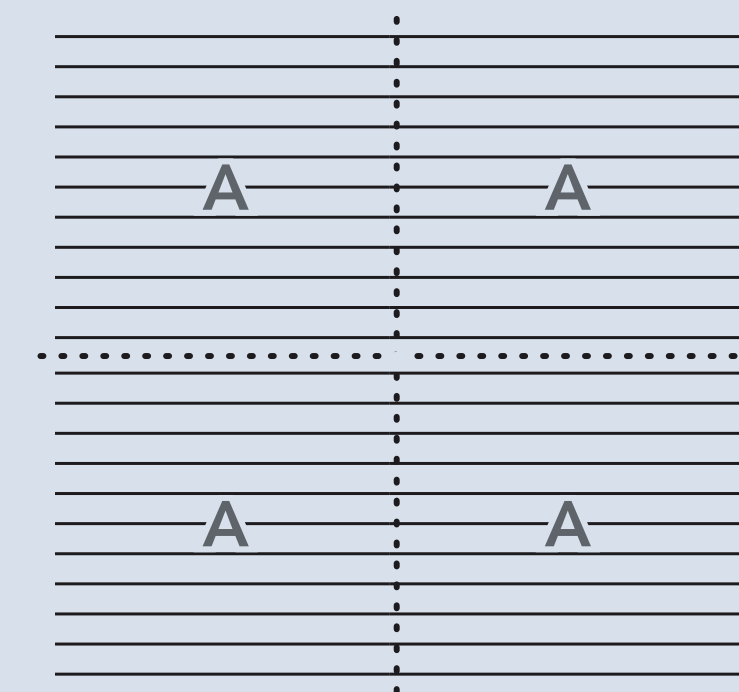
Unistrut Connector and Rib End to End Connection



Cross-Module Alignment Pin

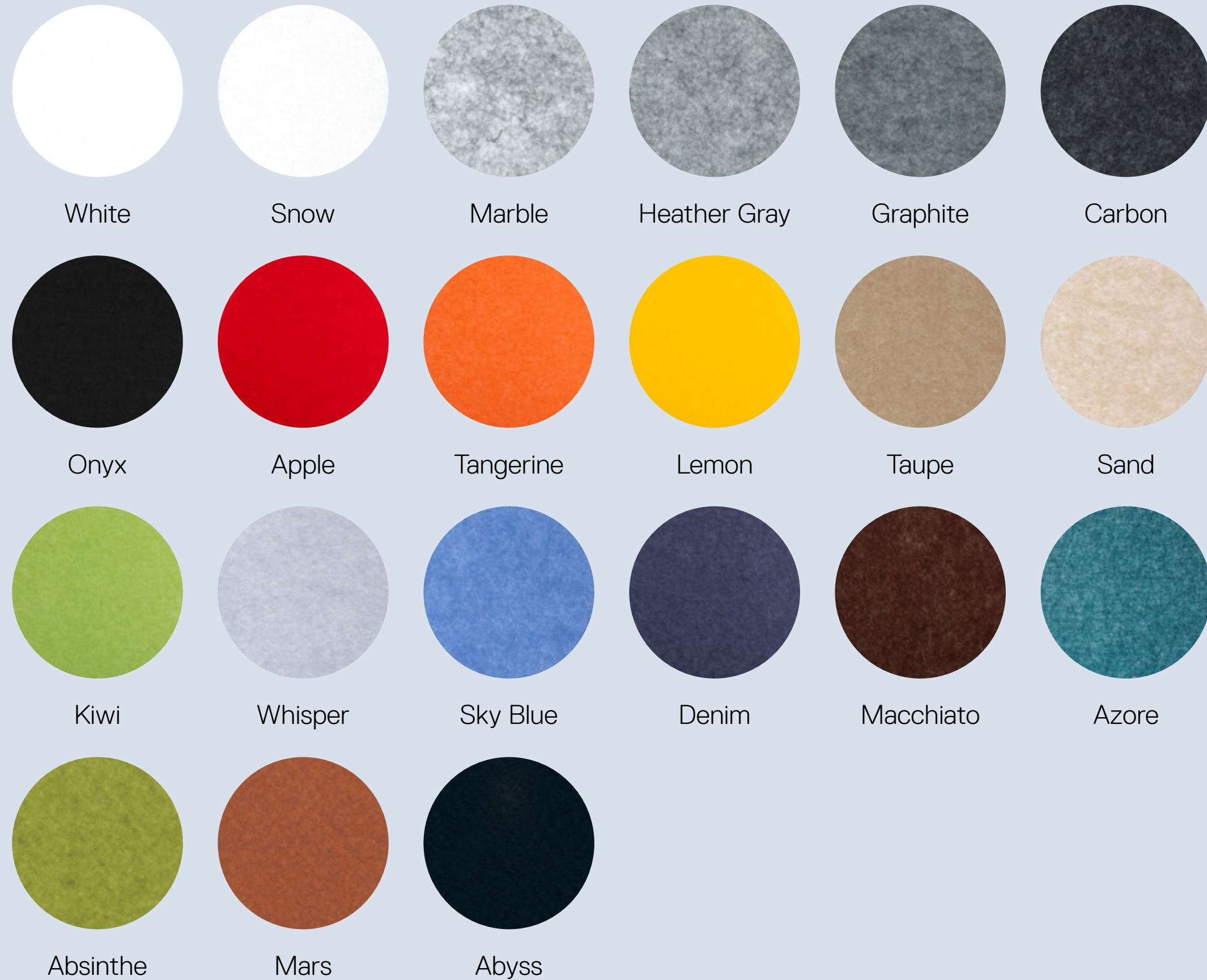


Module Joining Bracket



Multiple Modules Grid

(A) Understanding the System (B) Available Finishes (C) Product Specifications



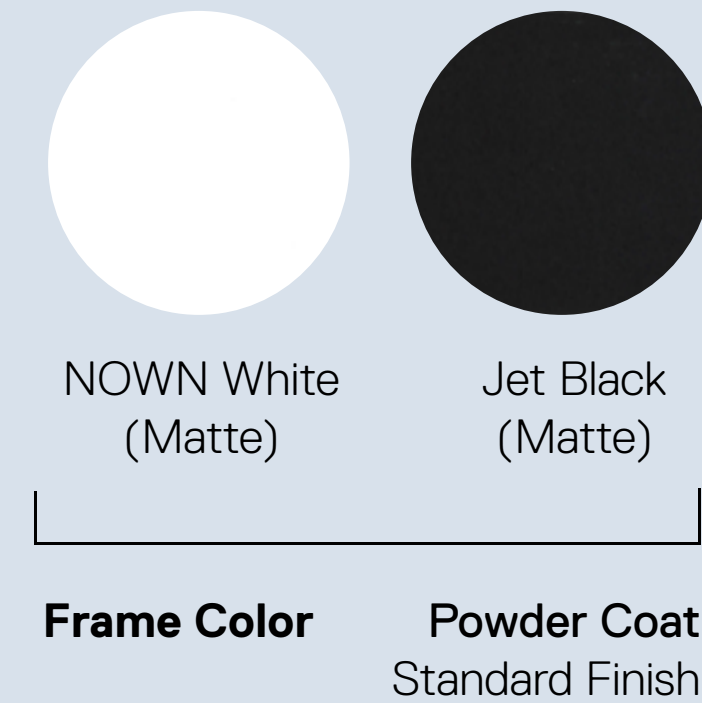
(i) Small circles indicate the core of texture.

As with natural wood, variation in color and grain is expected and grain will not align across panels.

Due to the nature of non-woven materials, light may pass through Soft Sound® in any thickness or color. A translucent appearance is most apparent in lighter colors and thin material when a light source is present behind the material. Arktura makes no claims or warranties about the material performing as opaque in any circumstance. To verify a products performance for light transmittance, a mockup of the specific intended use is recommended.

(A) Understanding the System (B) Available Finishes (C) Product Specifications

Dimensions (WxLxD)	2700 X 2700 X 275
Material	12mm Soft Sound® (PET)
Frame Material	Steel
Openness in Plan	86%
Fire Rating	ASTM E84 - Class A   13501-1 B-s1, d0
Attachment Method	M10 Threaded Rod
Accessibility	Yes, removable Clips at Each Fin
Trimmability	Yes, per installation manual



(A) Understanding the System (B) Available Finishes (C) Product Specifications

French Regulations	A+
Italian Regulations	✓
M1	M1
BREEAM	✓
LEED	✓
AgBB/ABG	✓

X: Not Compliant  
✓: Compliant



[PENDING]

Our low to no VOC levels comply with the above regulations and certifications.

(A) Understanding the System (B) Available Finishes (C) Product Specifications

**Each Rise Module is Made from 488 Recycled Water Bottles.**



Atmosfera® RISE

# (V) PRODUCT LINE

Dynamic, scalable, and affordable family of modular ceiling systems.

NOWN.COM  
ARKTURA.COM

SIMPLY  
ELEVATED



ATMOSPHERA® SURF



ATMOSPHERA® STRATA

Atmosfera® RISE

# (V) PRODUCT LINE

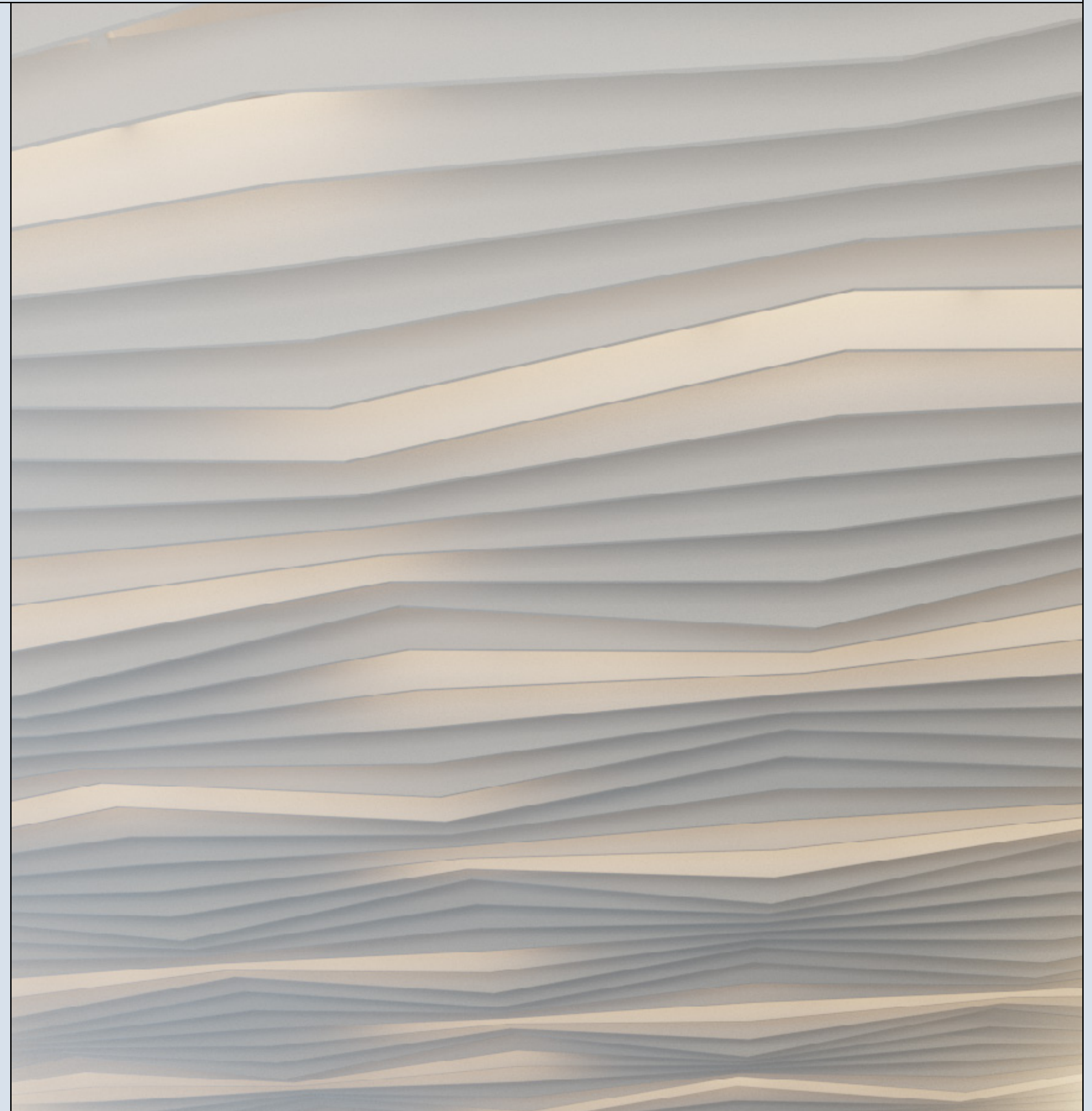
Multiple shapes, colors, sizes and flavours to shape any architectural interior.

NOWN.COM  
ARKTURA.COM

SIMPLY  
ELEVATED



ATMOSPHERA® FLOW



ATMOSPHERA® RISE

Multiple shapes, colors, sizes and flavours to shape any architectural interior.



**ATMOSPHERA® SWELL**



**ATMOSPHERA® LINEA**

**NOWN**

**ARKTURA**