

Atmosfera® SURF

CEILING BAFFLES

LAST UPDATED
INQUIRIES

01—2023
INFO @ [NOWN.COM](mailto:INFO@NOWN.COM)

NOWN
A R K T U R A

**SIMPLY
ELEVATED**



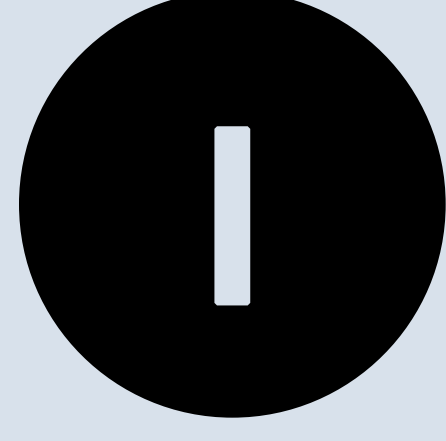
FOLLOW @ [NOWN OFFICIAL](#)

[YOUTUBE](#)

[INSTAGRAM](#)

[FACEBOOK](#)

[LINKEDIN](#)



KEY FEATURES



INSPIRATION



OVERVIEW



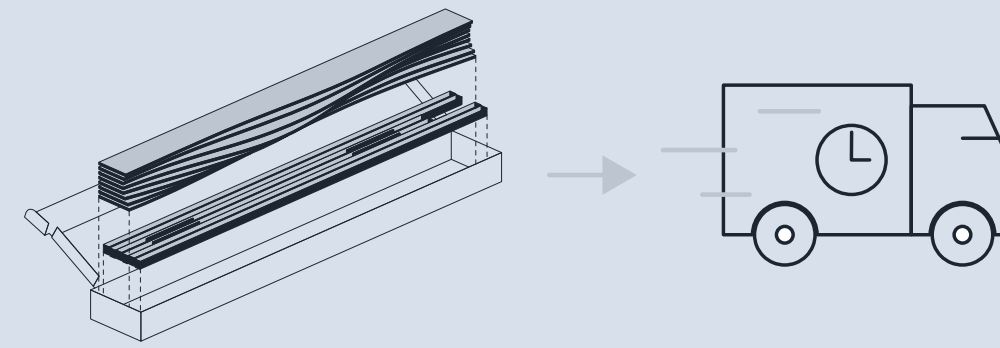
ACOUSTIC PERFORMANCE



PRODUCT LINE

Surf's ceiling baffles bring the active undulation of waves into your design activating your space and its occupants. Visitors might feel as if they were ready to head out for an afternoon surfing adventure.

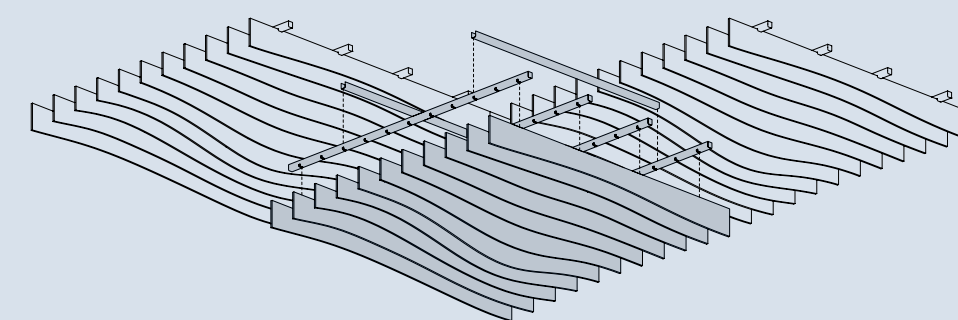
And because of their Soft Sound® fins, standing under the panels is tranquil, as their acoustic sound control limits excess noise.



Because they're preconfigured, production starts as soon as you order. Once complete Atmosfera®'s easy-to-assemble modules are promptly shipped, helping you cut down installation times and meet your project deadlines.

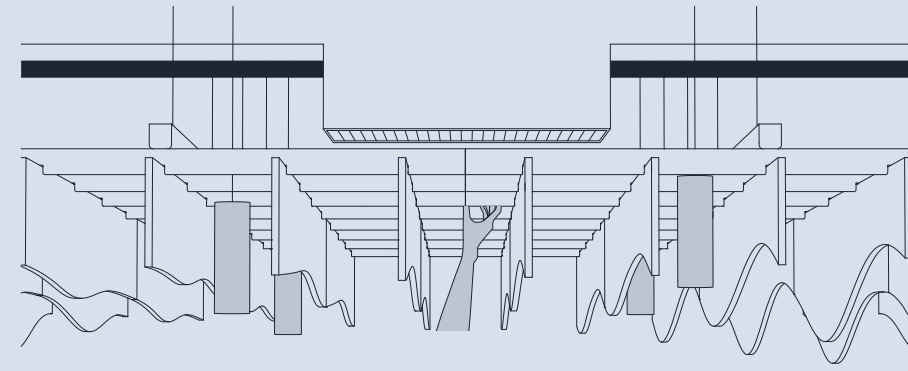
01) Faster Shipping & Installation

3

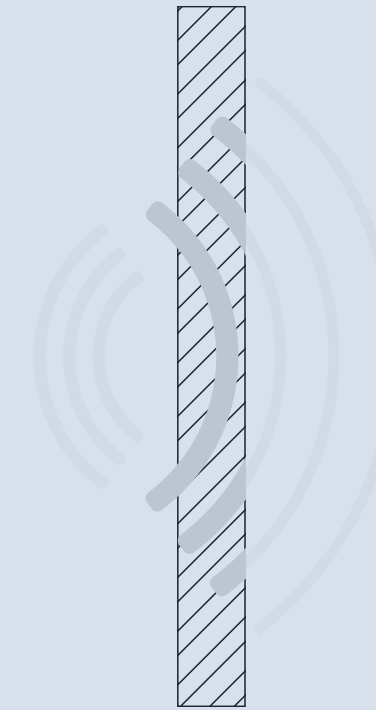


For a custom look without the custom price tag, pre-configured Atmosfera® modules offer innovative design impact with a quick and easy installation process. Achieve a cleaner design in a fraction of the time versus independently hung baffles.

02) Preconfigured Designs & Sizes



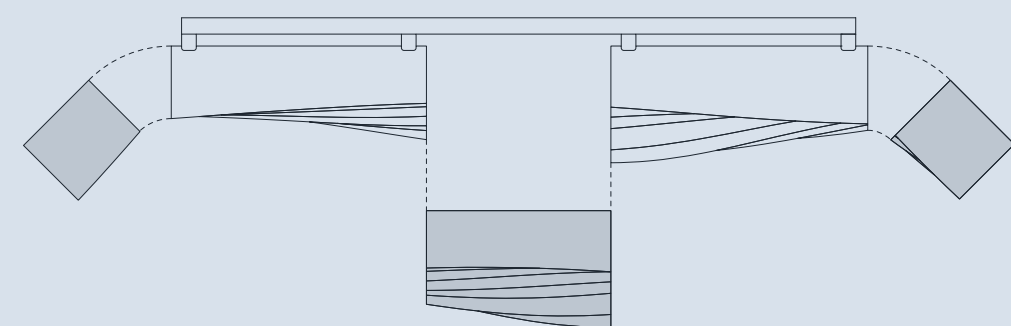
Atmosfera®'s open design makes integrating systems above or below the modules simple and feasible. Easily removable fins and open structure makes accessing lights, HVAC, rigging points, plumbing, AV equipment, and life safety systems easy for your maintenance team.



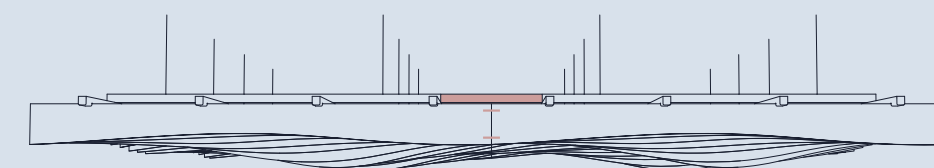
Atmosfera®'s Soft Sound® material reduces the impact of noise from everyday annoyances like ringing, typing, and chatter resulting in a more pleasant and productive environment. Atmosfera®'s material works in concert with the design to help reduce and control reverberations leaving a lasting impression at scales ranging from assembly halls to conference rooms.

03) Open Accessibility in Plan

04) Reduce Noise & Enhance Acoustics



This system allows for some simple modification that can allow it to adapt to your space without having to design a custom system.



Utilizing a hidden fin and frame alignment system Atmosfera provides continuity in all directions across your space. Our custom formulated material thickness and density ensures rigidity that limits deflection.

05) Easily Field Modifiable

06) Continuous Straight Baffles



Hide & Integrate Building Systems with Ample Fin Spacing & Depth

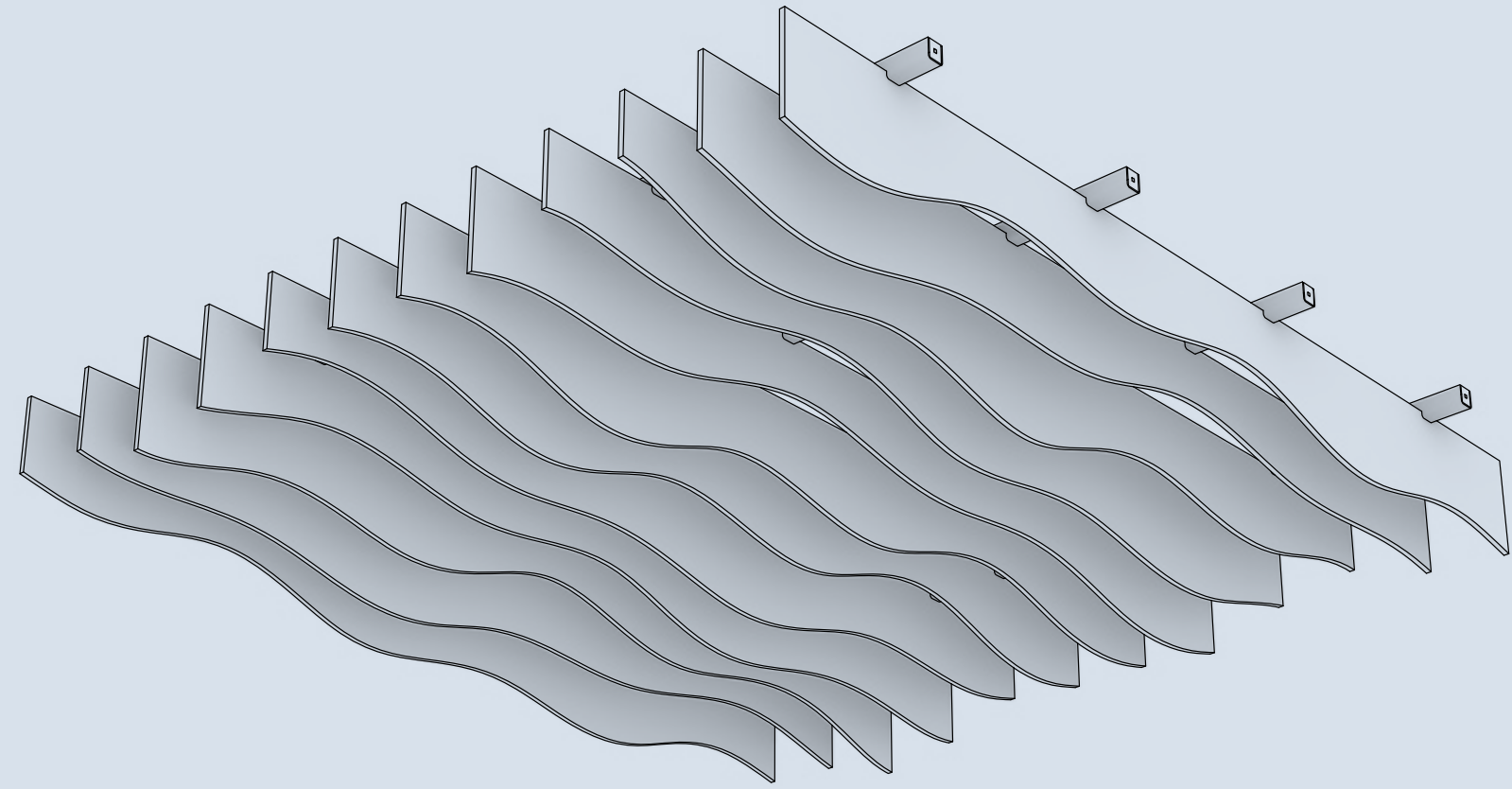


Dynamic Lighting Effect



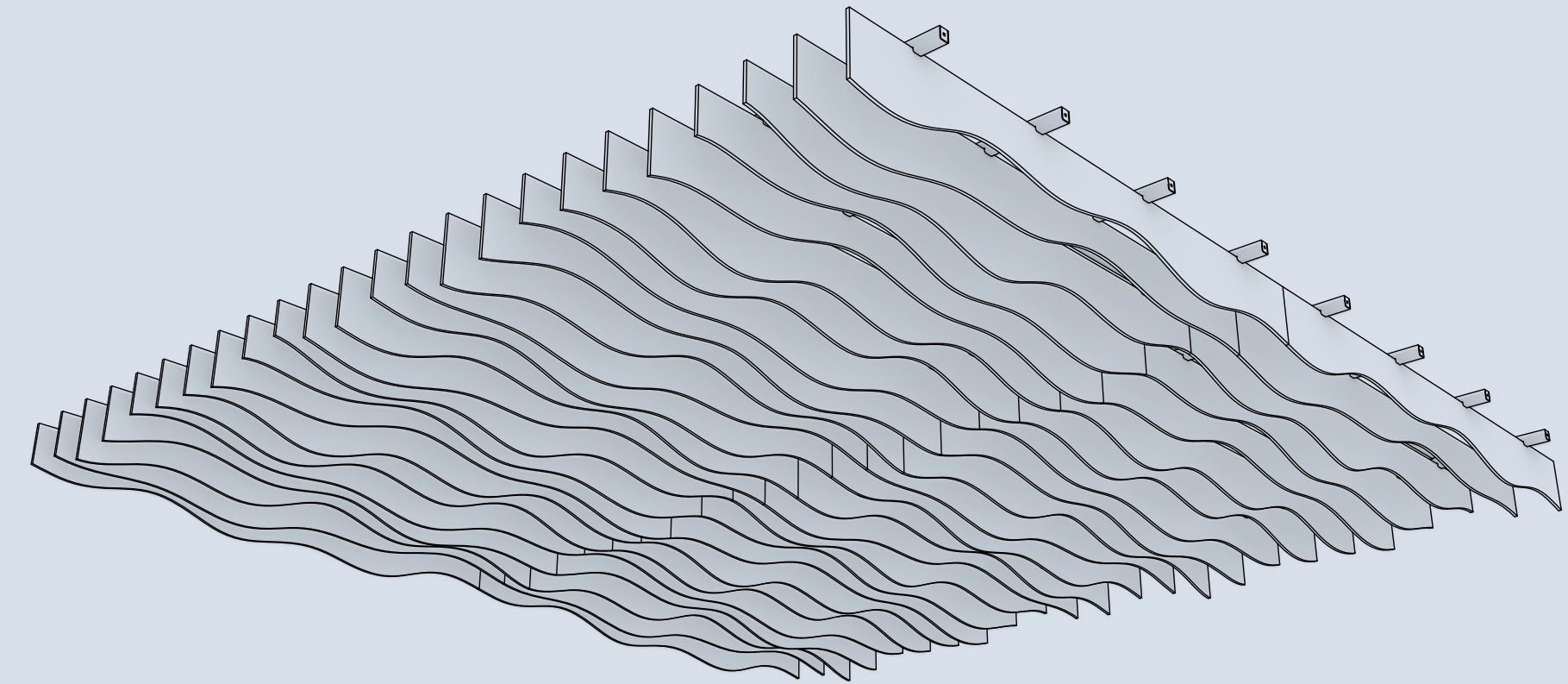
Unique Acoustic Solution

(A) Understanding the System (B) Available Finishes (C) Product Specifications



Modules consist of fins made from Arktura's lightweight & durable Soft Sound® acoustical material supported by stainless steel ribs.

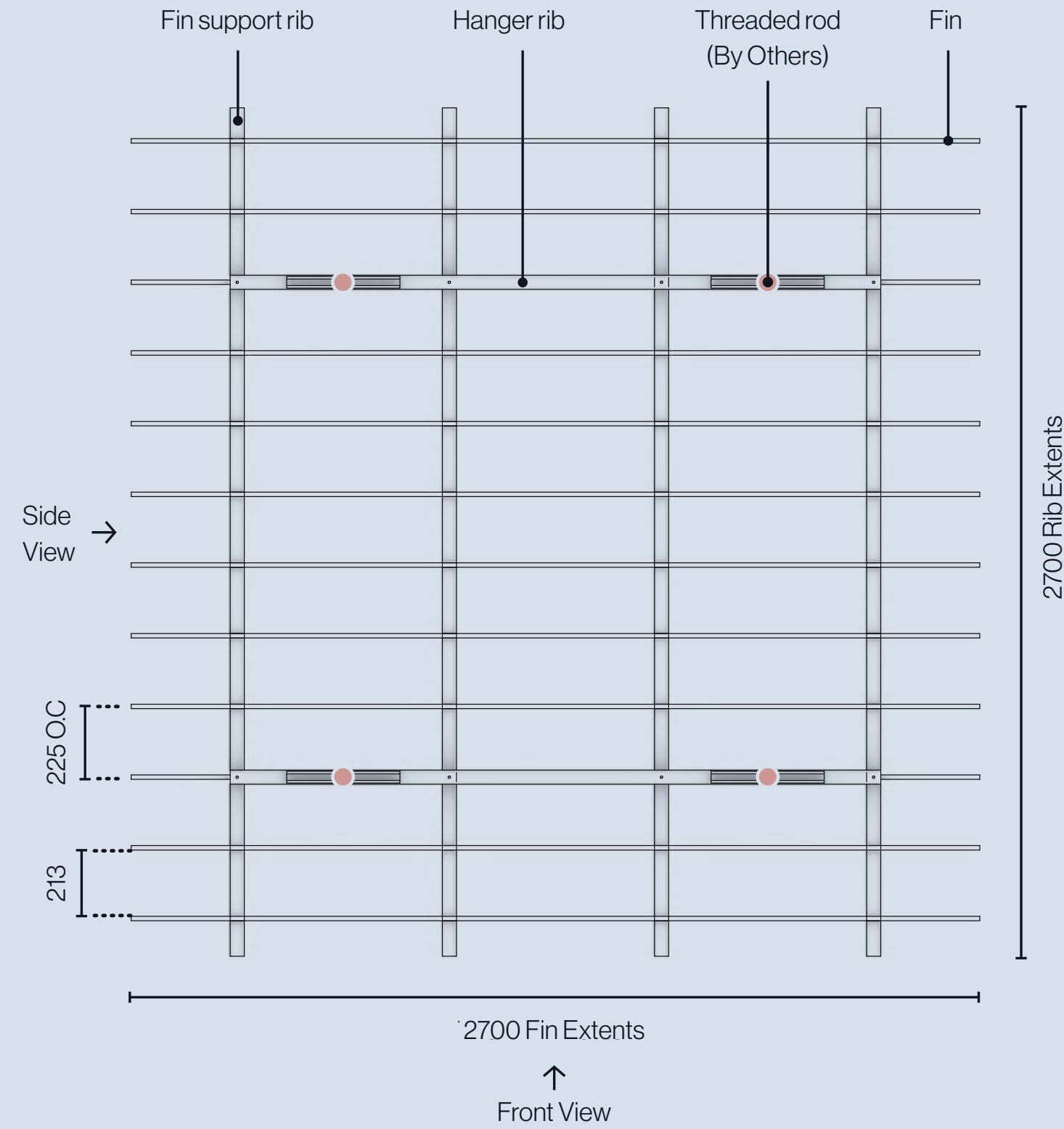
01) Standard Module



Modules can be seamlessly tiled in multiple directions in plan.

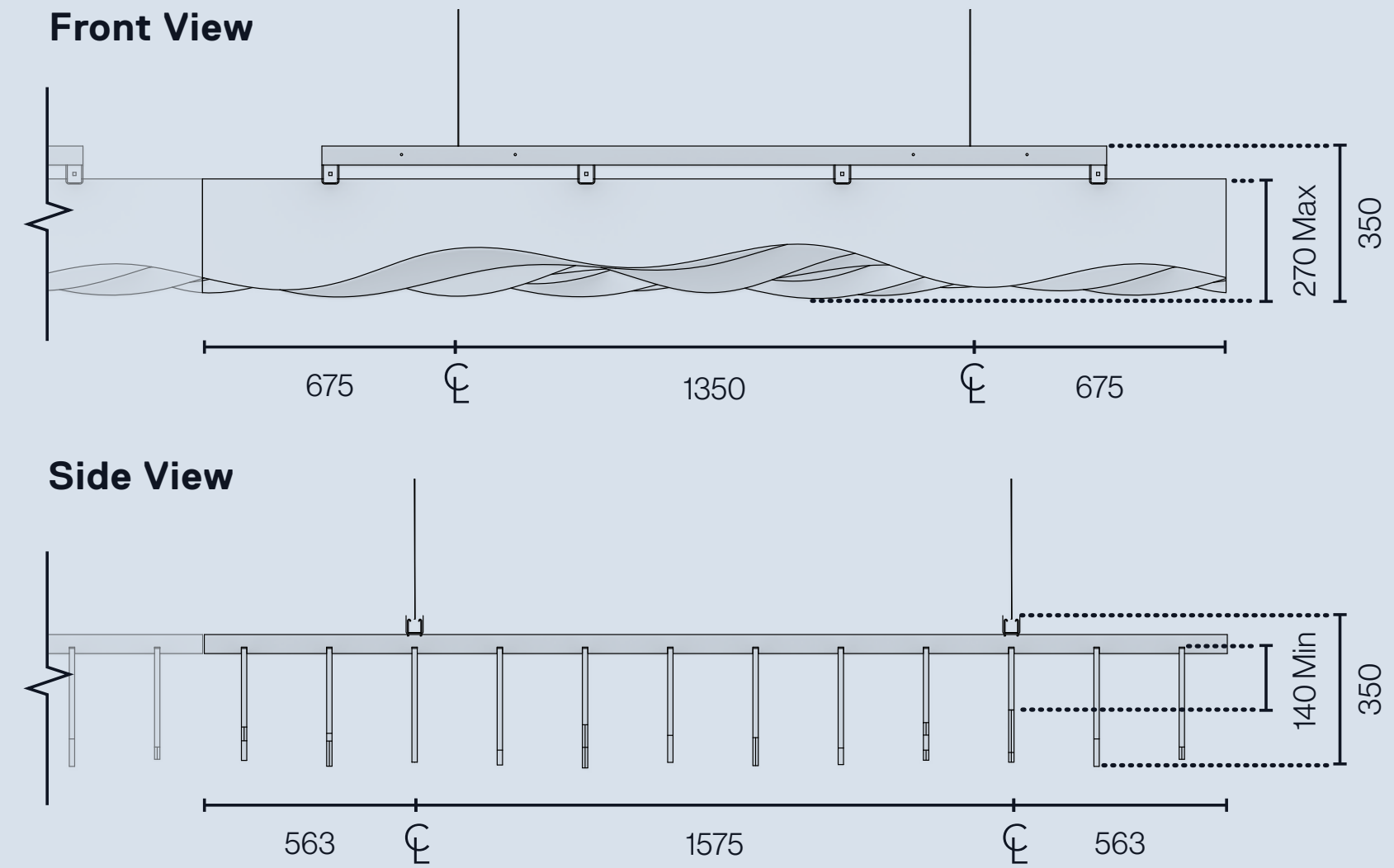
02) Designing with Modules

(A) Understanding the System (B) Available Finishes (C) Product Specifications



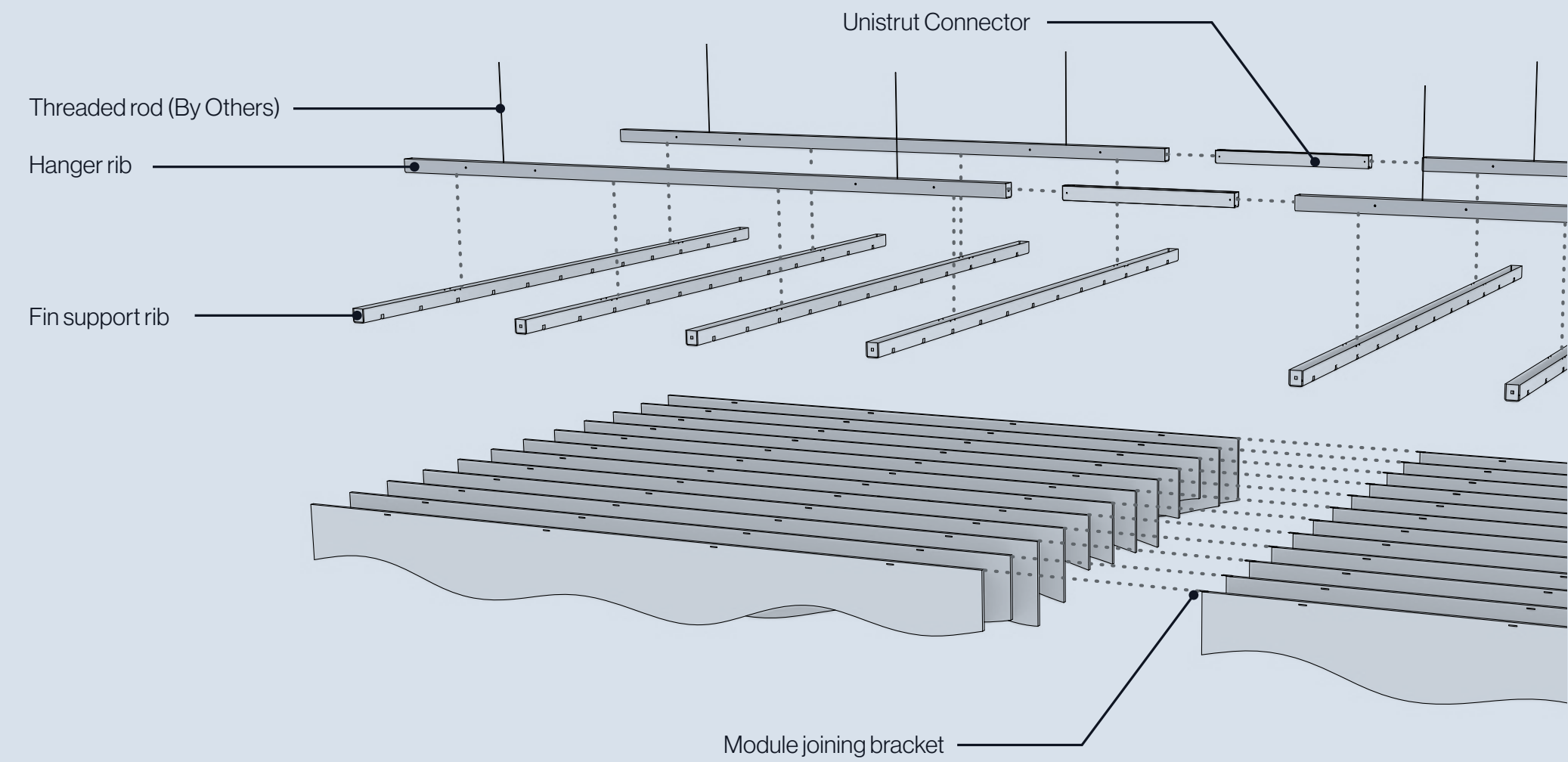
PLAN
86% open in plan.

Atmosphera® Surf lets you design linear layouts in plan. Create seamless designs for your desired look while adapting to and concealing building elements such as sensors, sprinklers, and lighting.

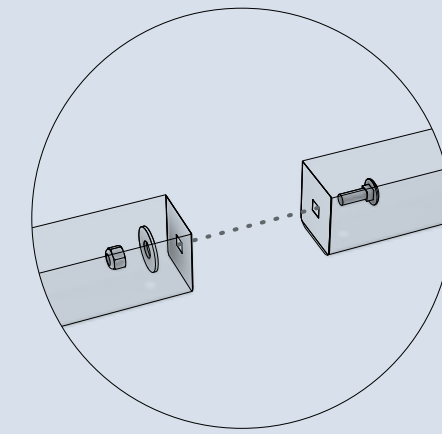


ELEVATIONS
Fin depth varies from 95 to 143 deep.

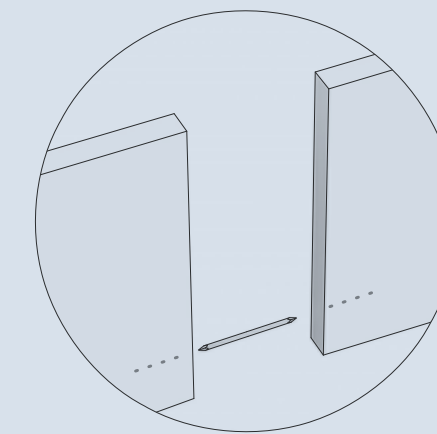
(A) Understanding the System (B) Available Finishes (C) Product Specifications



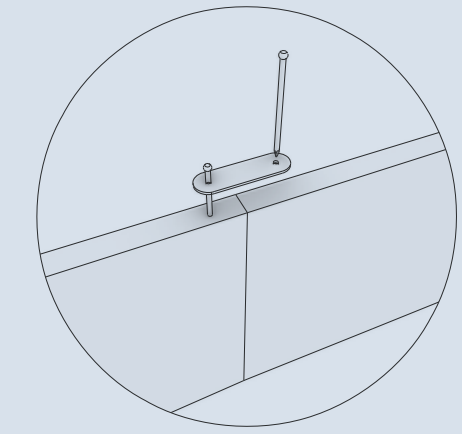
Atmosfera® is designed for ease of install and assembly. Use available joining brackets to achieve seamless fin to fin connections across modules with ease.



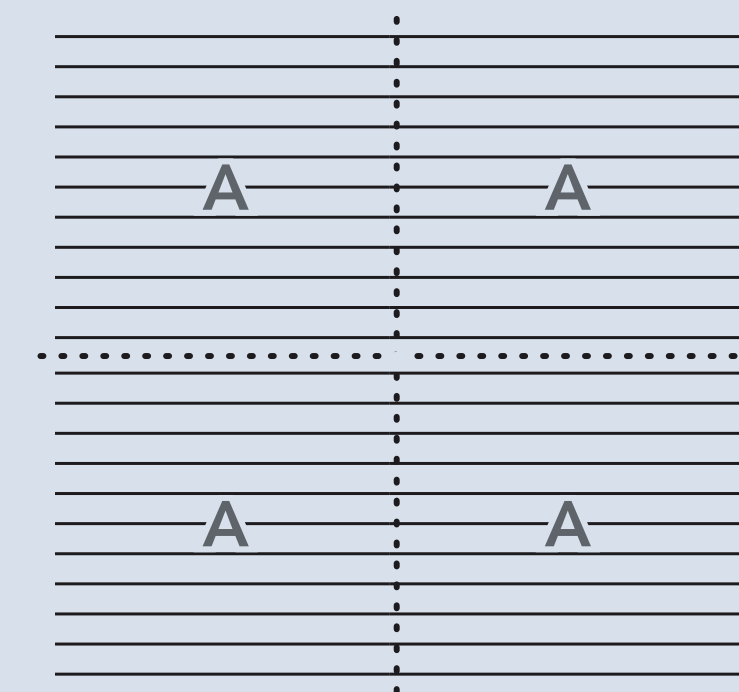
Unistrut Connector and Rib End to End Connection



Cross-Module Alignment Pin

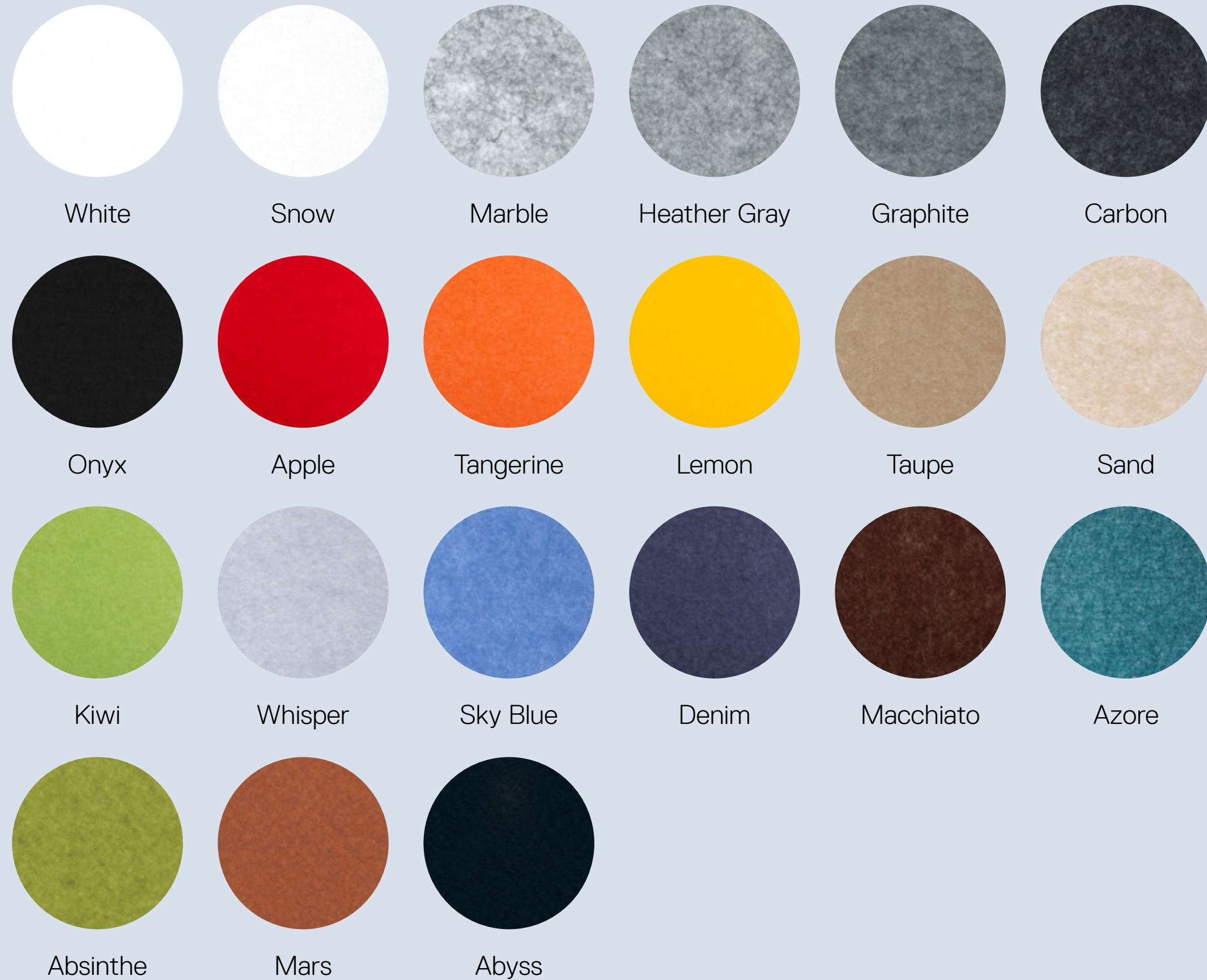


Module Joining Bracket



Multiple Modules Grid

(A) Understanding the System (B) Available Finishes (C) Product Specifications



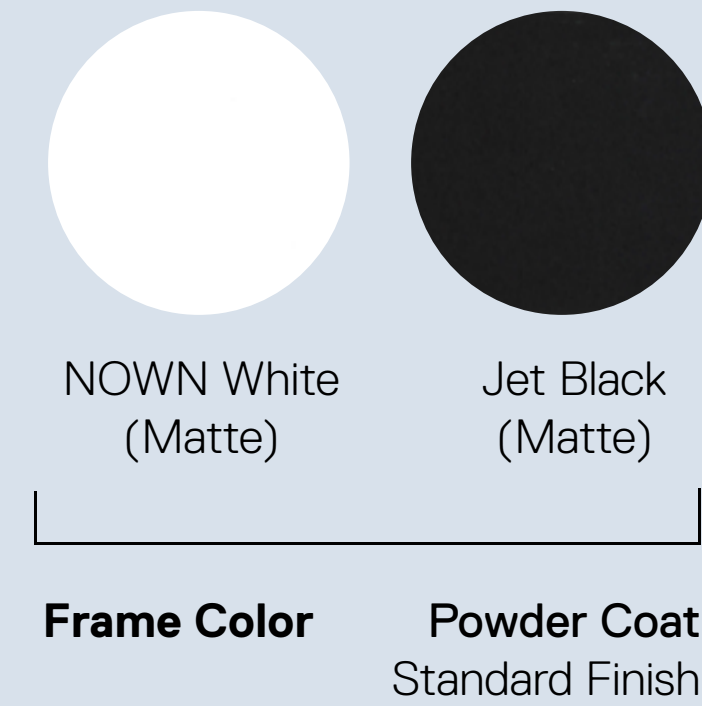
(i) Small circles indicate the core of texture.

As with natural wood, variation in color and grain is expected and grain will not align across panels.

Due to the nature of non-woven materials, light may pass through Soft Sound® in any thickness or color. A translucent appearance is most apparent in lighter colors and thin material when a light source is present behind the material. Arktura makes no claims or warranties about the material performing as opaque in any circumstance. To verify a products performance for light transmittance, a mockup of the specific intended use is recommended.

(A) Understanding the System (B) Available Finishes (C) Product Specifications

Dimensions (WxLxD)	2700 X 2700 X 270
Material	12mm Soft Sound® (PET)
Frame Material	Steel
Openness in Plan	86%
Fire Rating	ASTM E84 - Class A 13501-1 B-s1, d0
Attachment Method	M10 Threaded Rod
Accessibility	Yes, removable Clips at Each Fin
Trimmability	Yes, per installation manual



(A) Understanding the System (B) Available Finishes (C) Product Specifications

French Regulations	A+
Italian Regulations	✓
M1	M1
BREEAM	✓
LEED	✓
AgBB/ABG	✓

X: Not Compliant
✓: Compliant



[PENDING]

Our low to no VOC levels comply with the above regulations and certifications.

(A) Understanding the System (B) Available Finishes (C) Product Specifications

Each Surf Module is Made from 488 Recycled Water Bottles.



(V) PRODUCT LINE

Dynamic, scalable, and affordable family of modular ceiling systems.



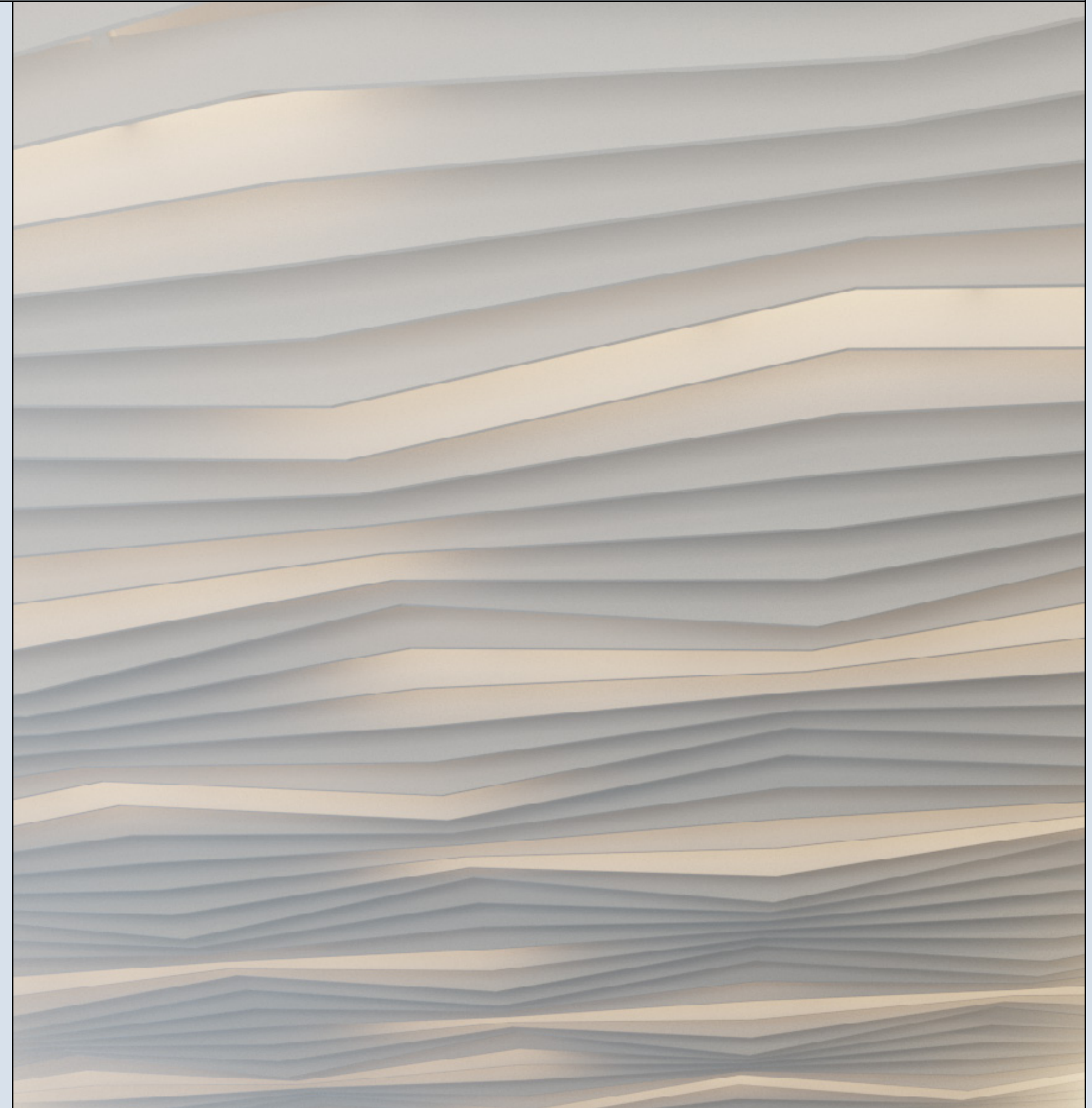
ATMOSPHERA® SURF



ATMOSPHERA® STRATA

(V) PRODUCT LINE

Multiple shapes, colors, sizes and flavours to shape any architectural interior.



ATMOSPHERA® FLOW

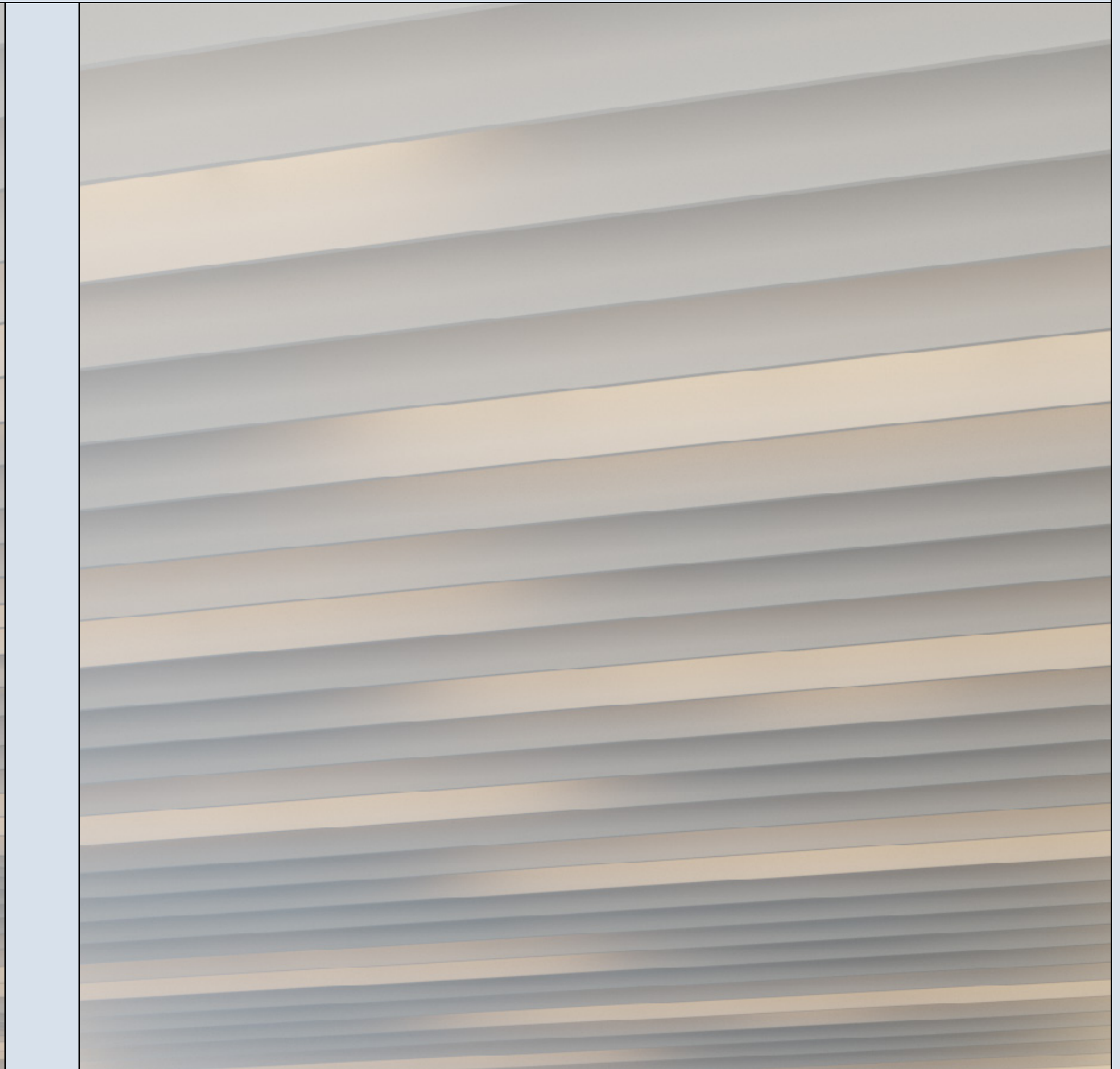
ATMOSPHERA® RISE

(V) PRODUCT LINE

Multiple shapes, colors, sizes and flavours to shape any architectural interior.



ATMOSPHERA® SWELL



ATMOSPHERA® LINEA

NOWN

ARKTURA