

SoftSpan® 24

OPEN & CLOSED GRID CEILING

LAST UPDATED
INQUIRIES

04—2023
INFO @ [NOWN.COM](mailto:INFO@NOWN.COM)

NOWN
A R K T U R A

SIMPLY
ELEVATED



FOLLOW @ [NOWN OFFICIAL](#)

[YOUTUBE](#)

[INSTAGRAM](#)

[FACEBOOK](#)

[LINKEDIN](#)



KEY FEATURES



INSPIRATION



OVERVIEW

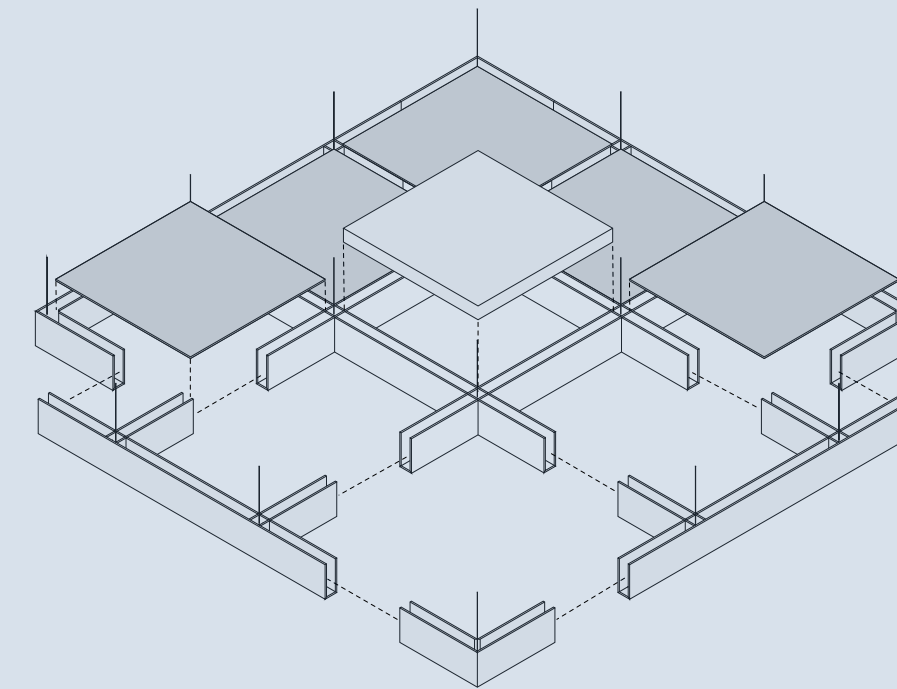


ACOUSTIC PERFORMANCE



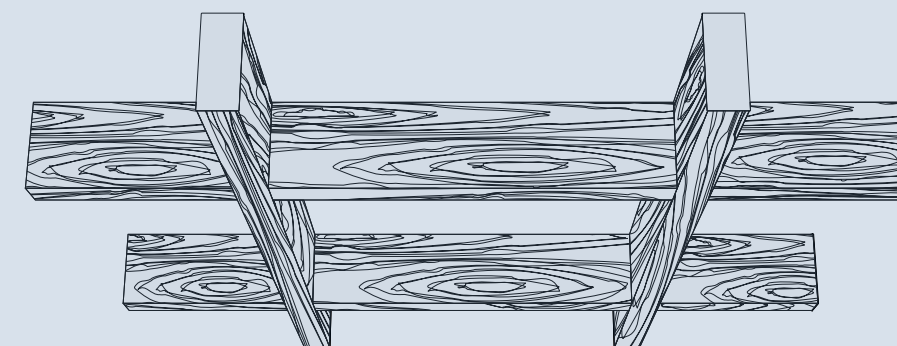
PRODUCT LINE

SoftSpan® 24 is a versatile ceiling baffle system that echoes the look of a custom gridded trellised ceiling installation, but without the weight and complicated install of wood or concrete. Add Soft Sound® coffer panels to transform from trellis to an appearance of a custom coffered ceiling system, while simultaneously further enhancing the acoustics of your space.



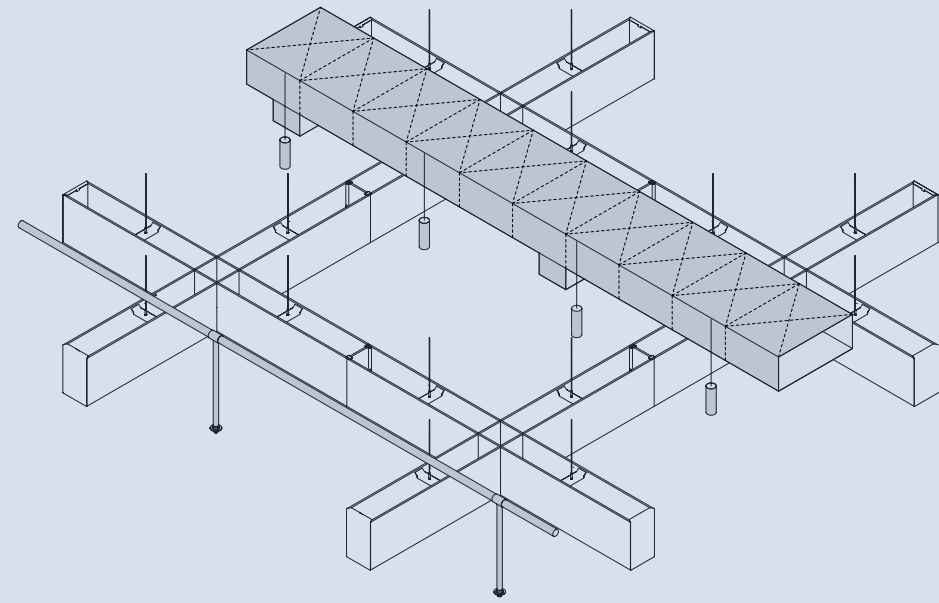
Explore our range of accessory options. Enhance acoustic performance with Soft Sound® Coffered Panels, enclose modules with optional perimeter beam and corner modules to expand design possibilities, or use our new Panel Lighting to illuminate your space!

01) Accessories

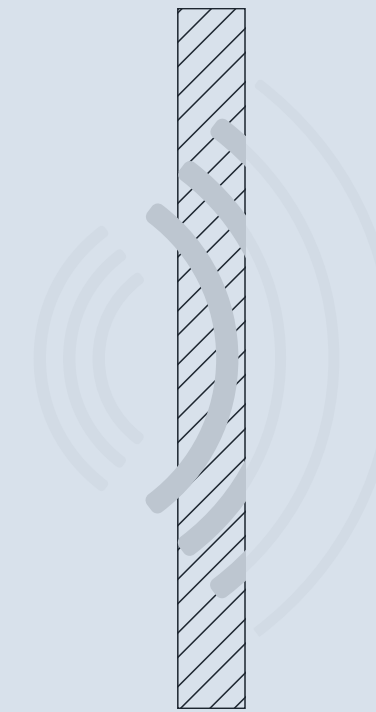


SoftSpan® in Soft Sound® Wood Texture brings the aesthetics of a timber trellis into your space without the weight while also adding acoustic performance.

02) Timber Trellis without the Weight



SoftSpan®'s open grid design makes integrating systems above or below the modules simple and feasible. Easily accessible open truss beam structure makes accessing lighting, HVAC, rig points, plumbing, and life safety systems simple.

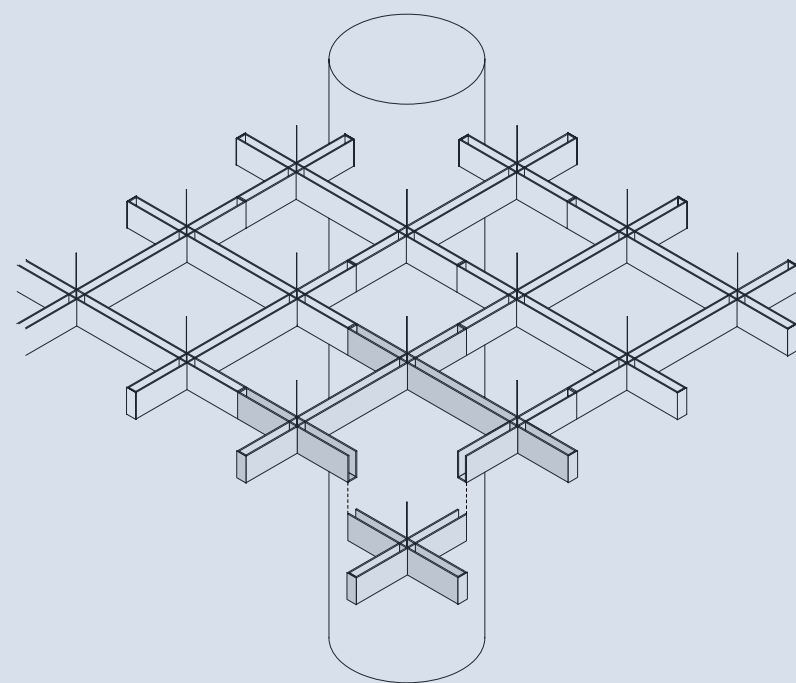


SoftSpan®'s Soft Sound® material reduces the impact of noise from everyday annoyances like ringing, typing, and chatter resulting in a more pleasant and productive environment. SoftSpan®'s material works in concert with the design to help reduce and control reverberations leaving a lasting impression at scales ranging from assembly halls to conference rooms.

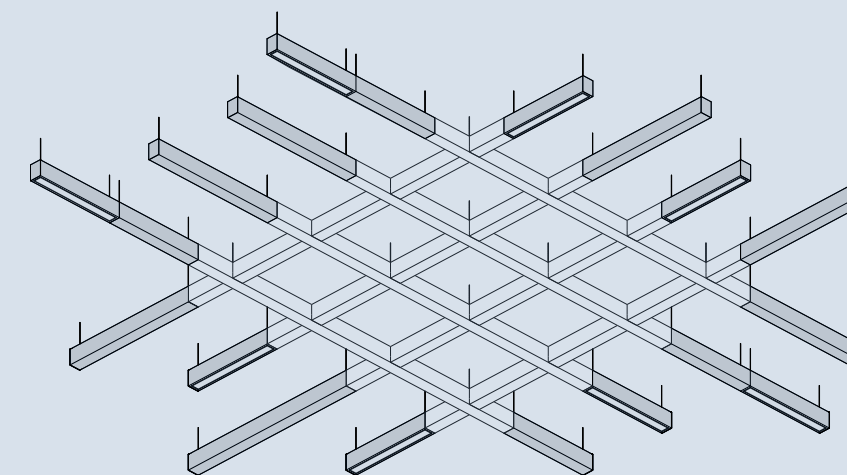
03) Open Accessibility in Plan

04) Reduce Noise & Enhance Acoustics

4



SoftSpan® modules can be trimmed in the field. By rearranging our adjustable hangers; we make it easy for you to specify standard modules that can be easily field-modified around anticipated and unforeseen site conditions during install.



SoftSpan® 24 offers connectivity with SoundBar® acoustic baffles, to create a multitude of unique layouts with visual continuity across as space, incorporating linear lighting as desired.

05) Preconfigured Field Trimmable Solution

06) Compatible with SoundBar®



Create Dynamic Integrated Lighting Effects

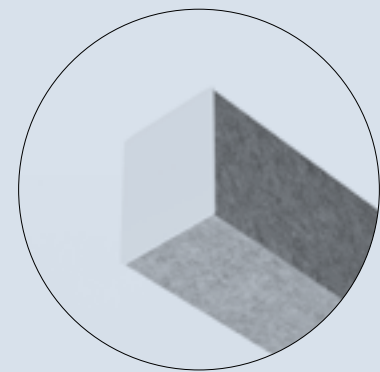
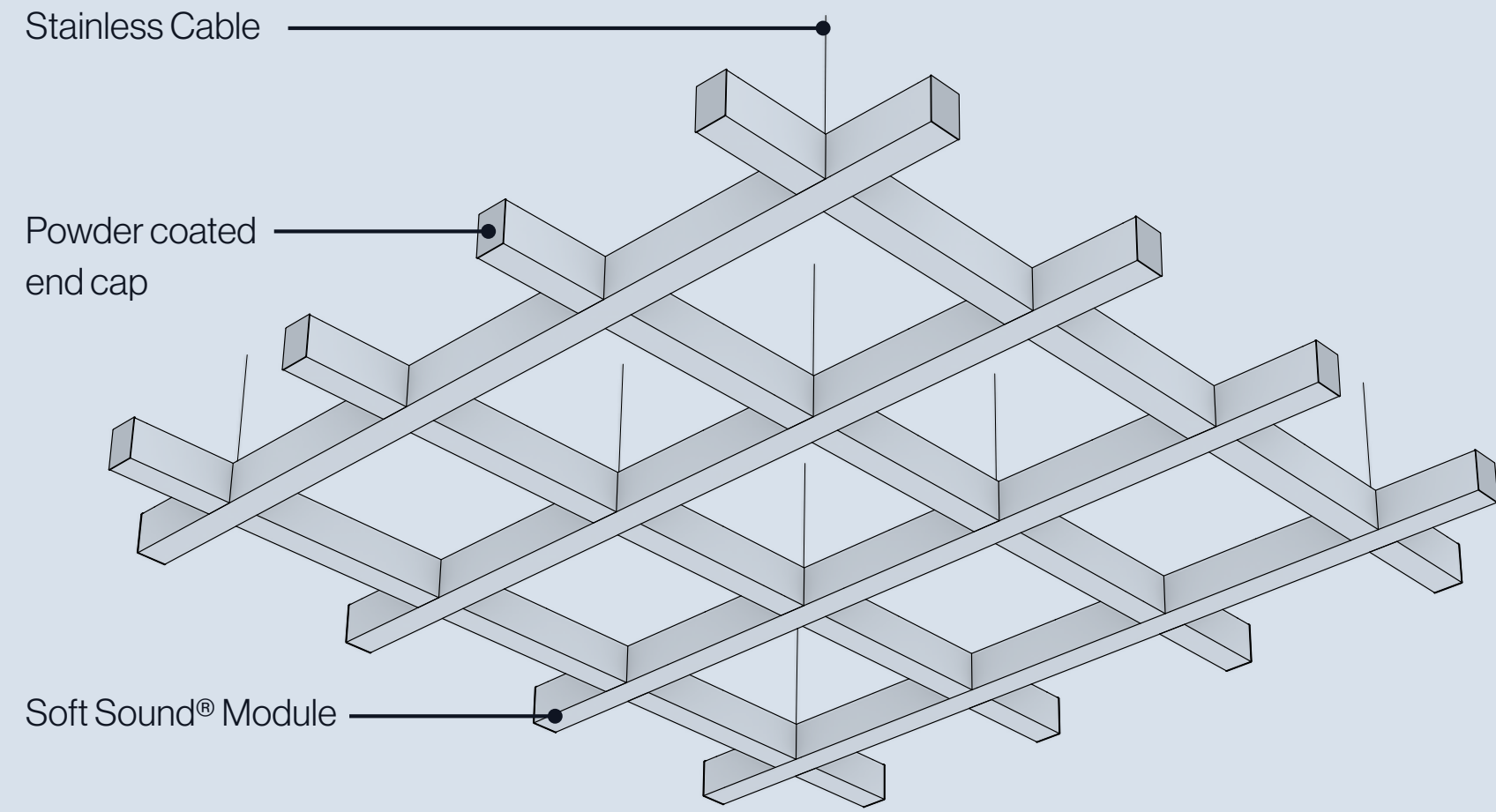


Introduce Seamless Spans of Trellis to Enhance Acoustic Comfort

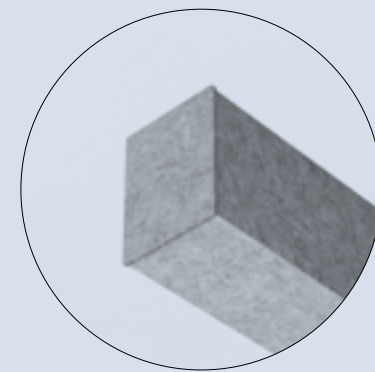


Enclose Modules to Create Dynamic Trellis Clouds

(A) Understanding the System (C) Optional Accessories (B) Available Finishes (D) Product Specifications



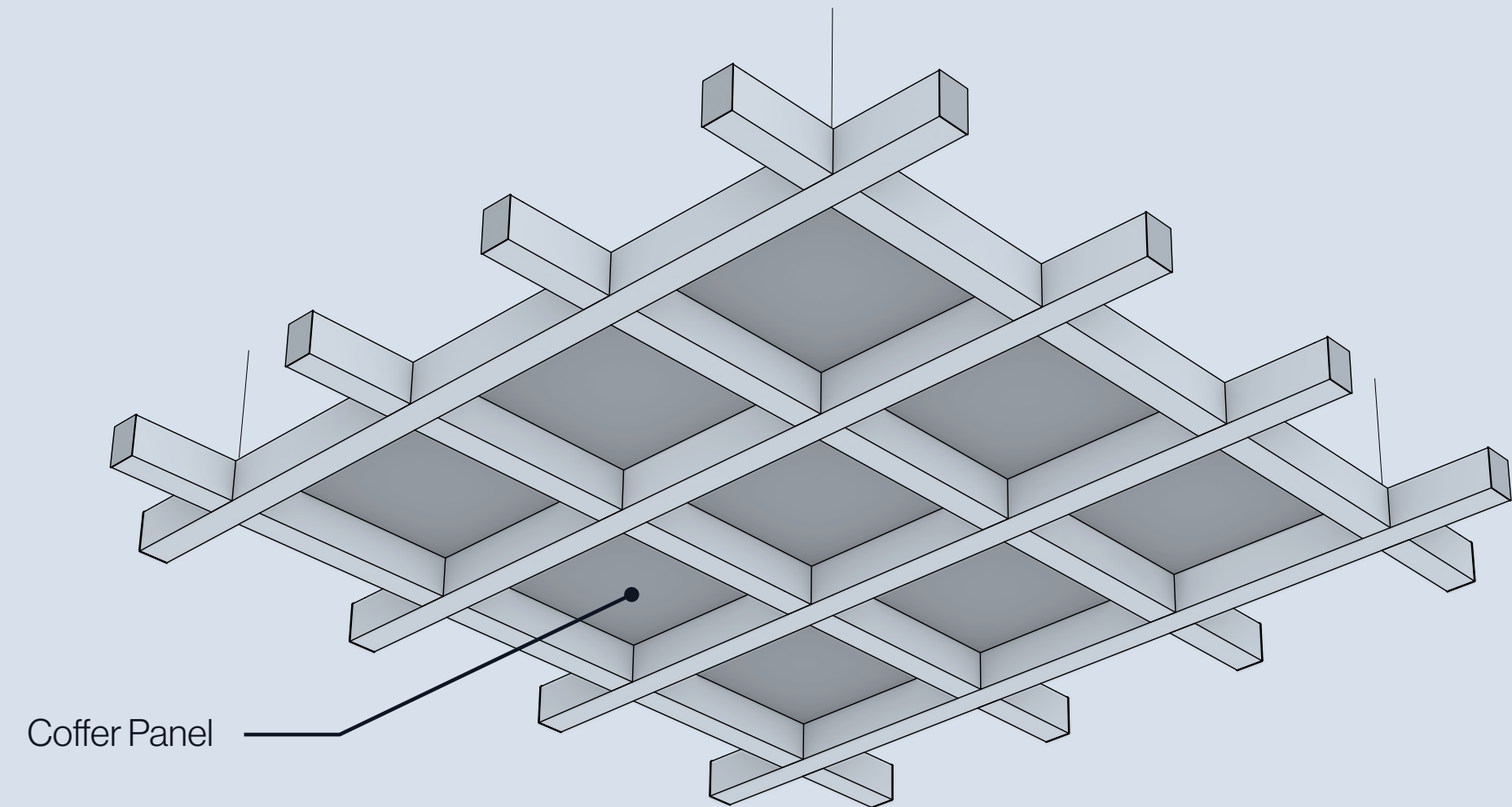
Universal Metal End Cap
Applies to all variations.



Soft Sound® End Cover
Applies to all variations.

Modules are made from Arktura's lightweight & durable Soft Sound® material, with stainless steel hanging brackets and powder coated end caps.

01) Trellis Module

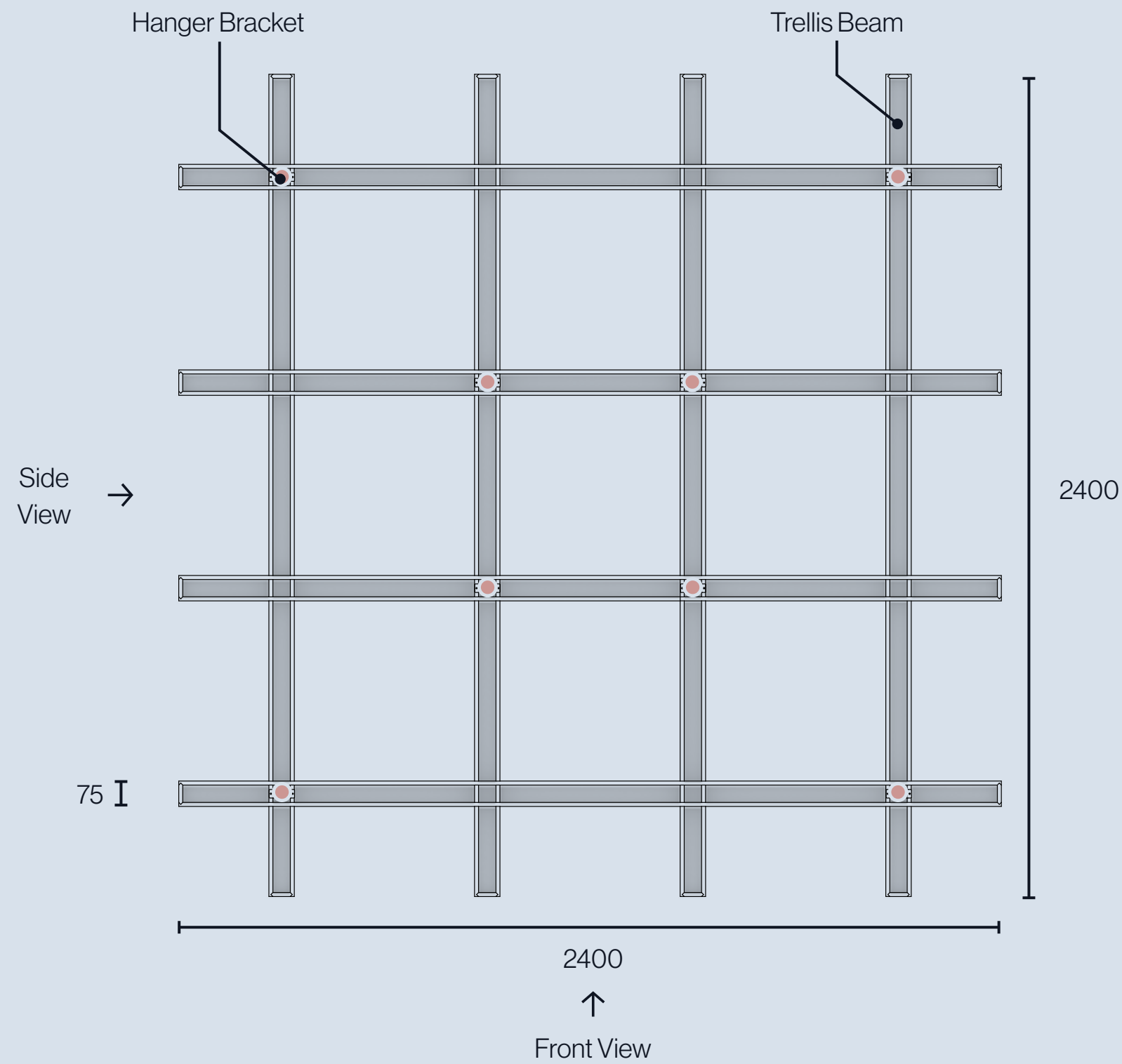


Trellis may be transformed and enclosed to create a Coffe Ceiling system using Soft Sound® accessory panels.

Product Design Consultant **Gensler**

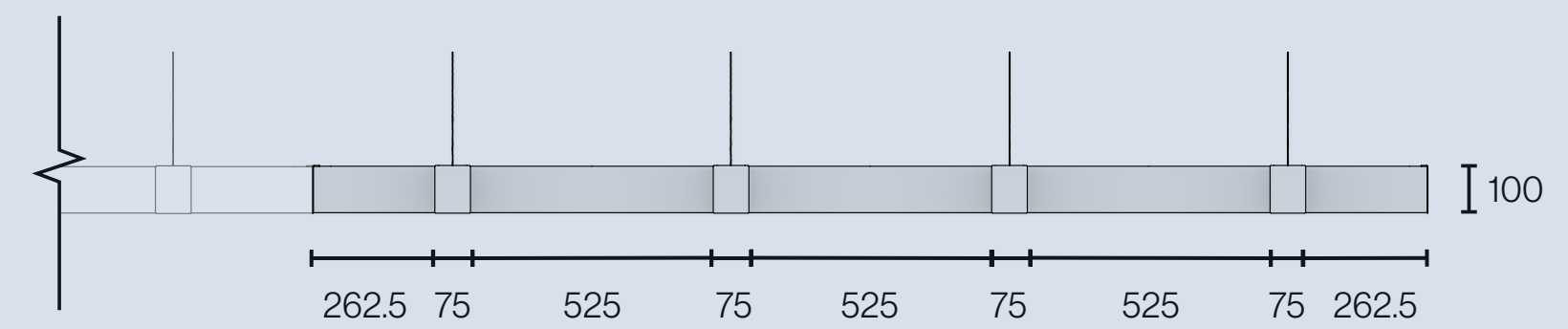
02) Coffe Panel

(A) Understanding the System (C) Optional Accessories (B) Available Finishes (D) Product Specifications

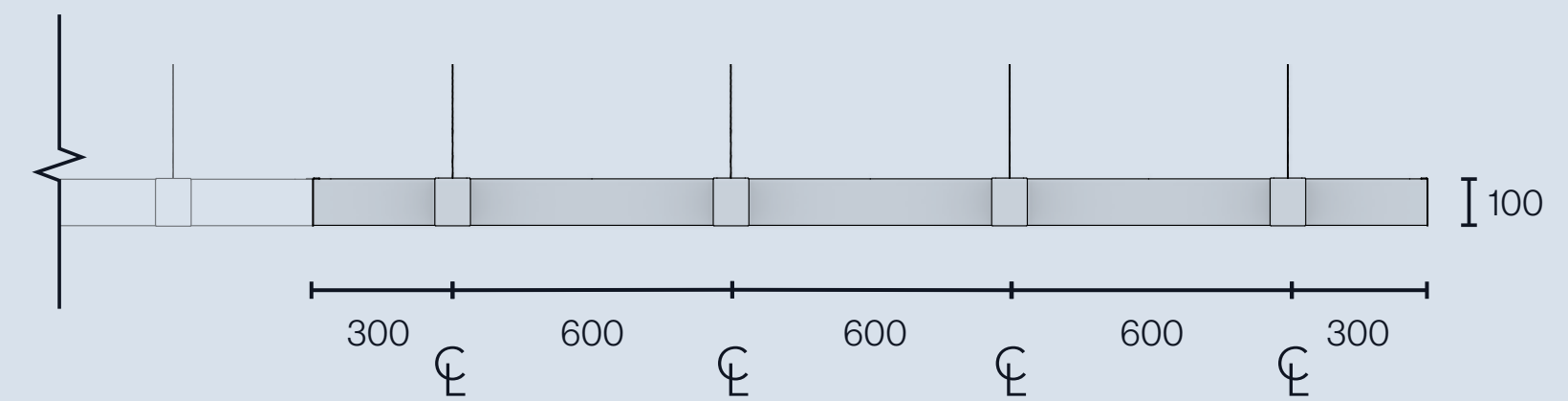


PLAN
77% open in plan.

Front View

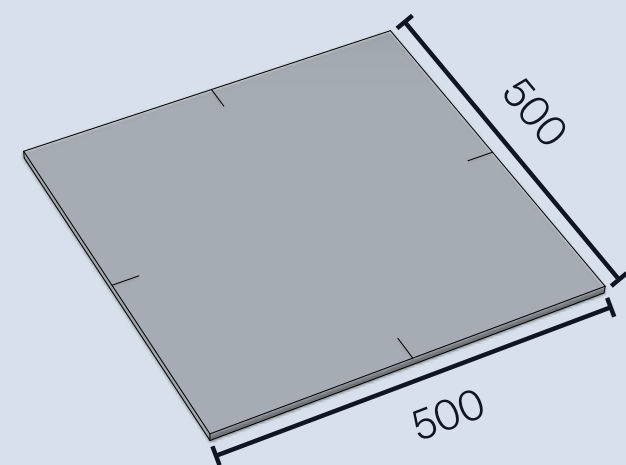
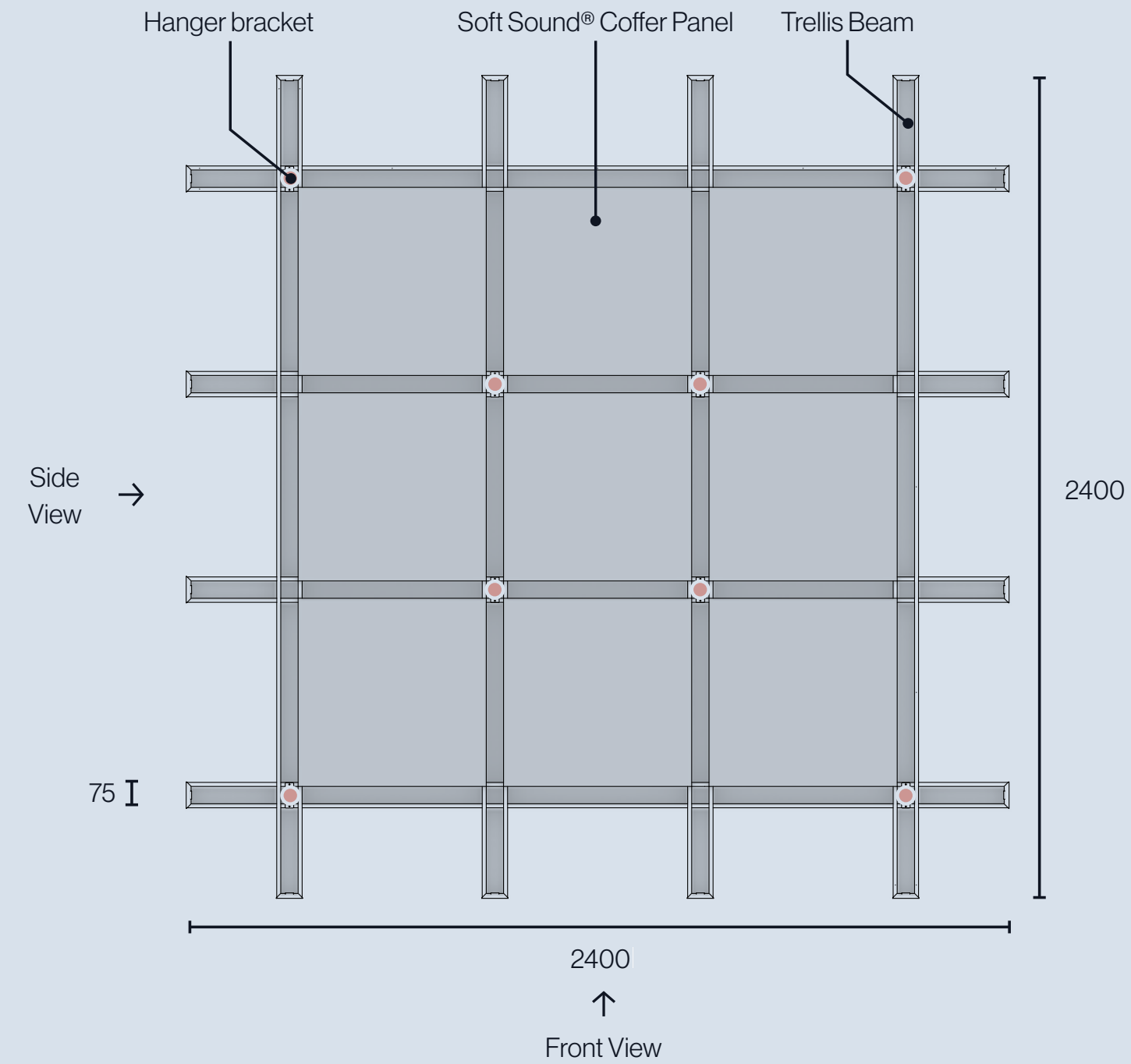


Side View



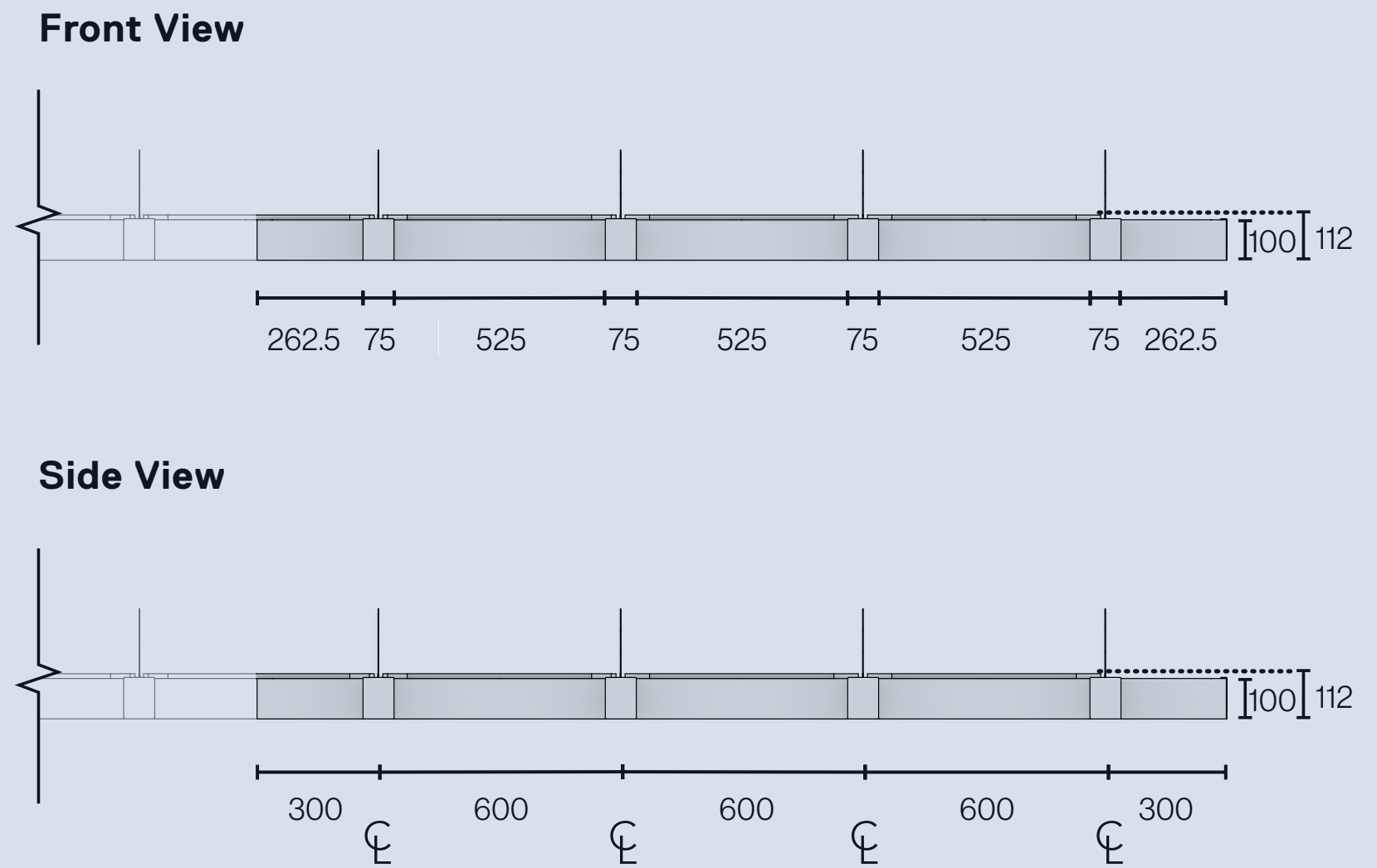
ELEVATIONS

(A) Understanding the System (C) Optional Accessories (B) Available Finishes (D) Product Specifications



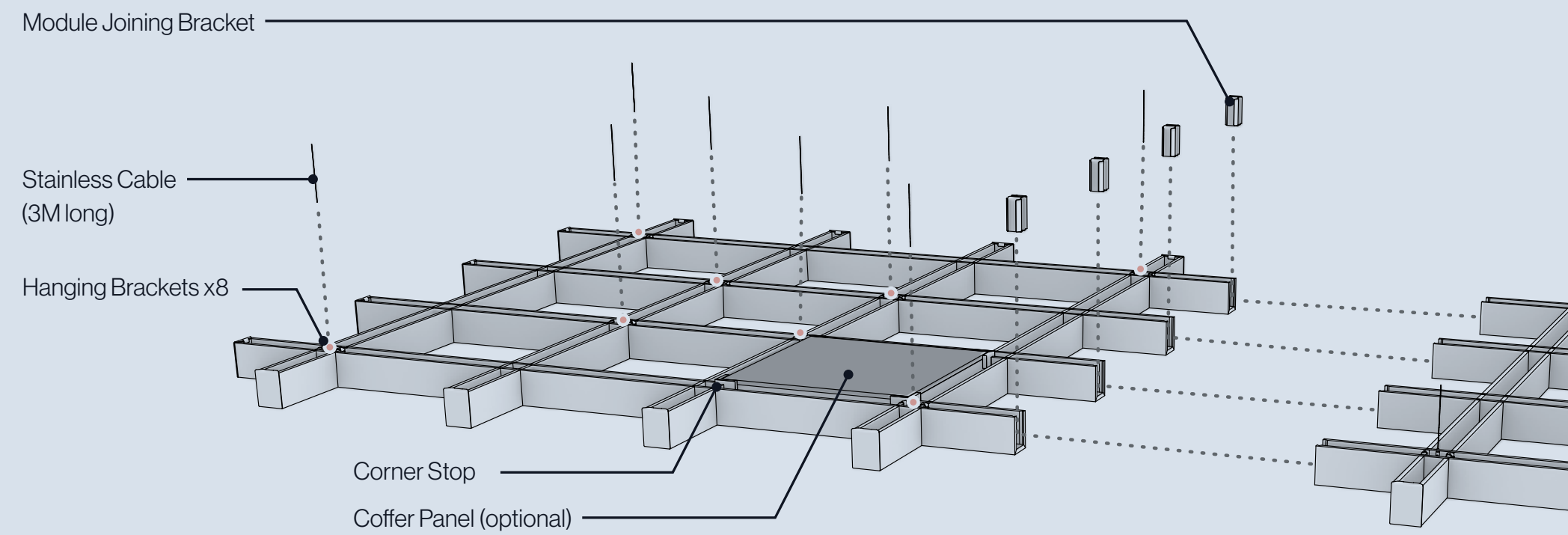
PLAN

Specify the optional Coffered Panel accessory to transform SoftSpan® open trellis into a coffered module. Select from Arktura's expanding palette of 12mm Soft Sound® colors and textures.

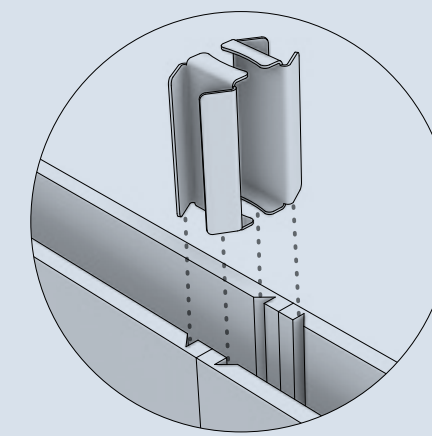


ELEVATIONS

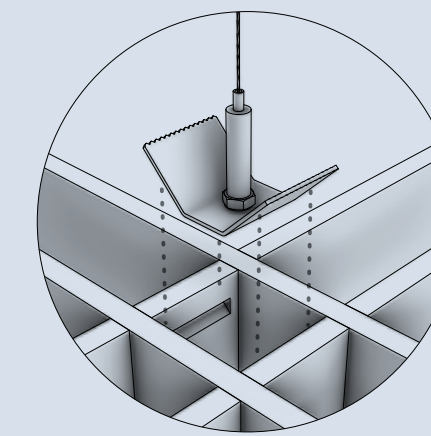
(A) Understanding the System (C) Optional Accessories (B) Available Finishes (D) Product Specifications



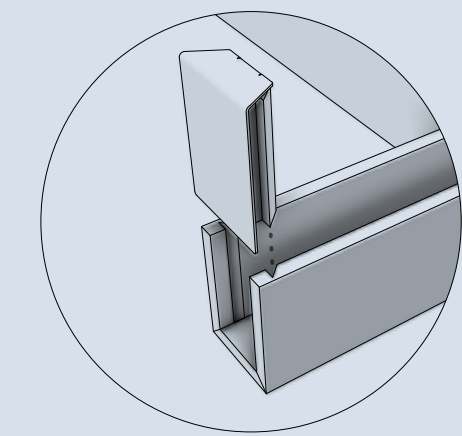
To minimize the visual impact of our hanging systems, we provide 1.5mm stainless cables and a micro quick release wire clamp at 8 locations.



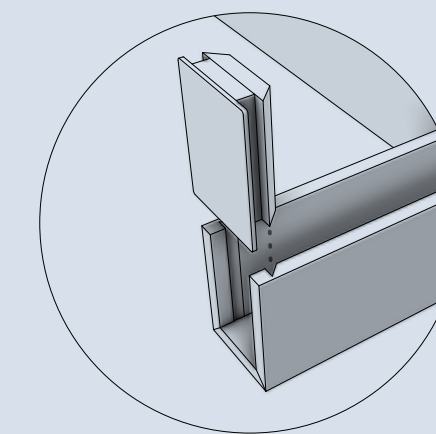
Joiner Bracket



Hanging Bracket Attachment



Universal Metal End Cap



Soft Sound® End Cover

(A) Understanding the System

(C) Optional Accessories

(B) Available Finishes

(D) Product Specifications



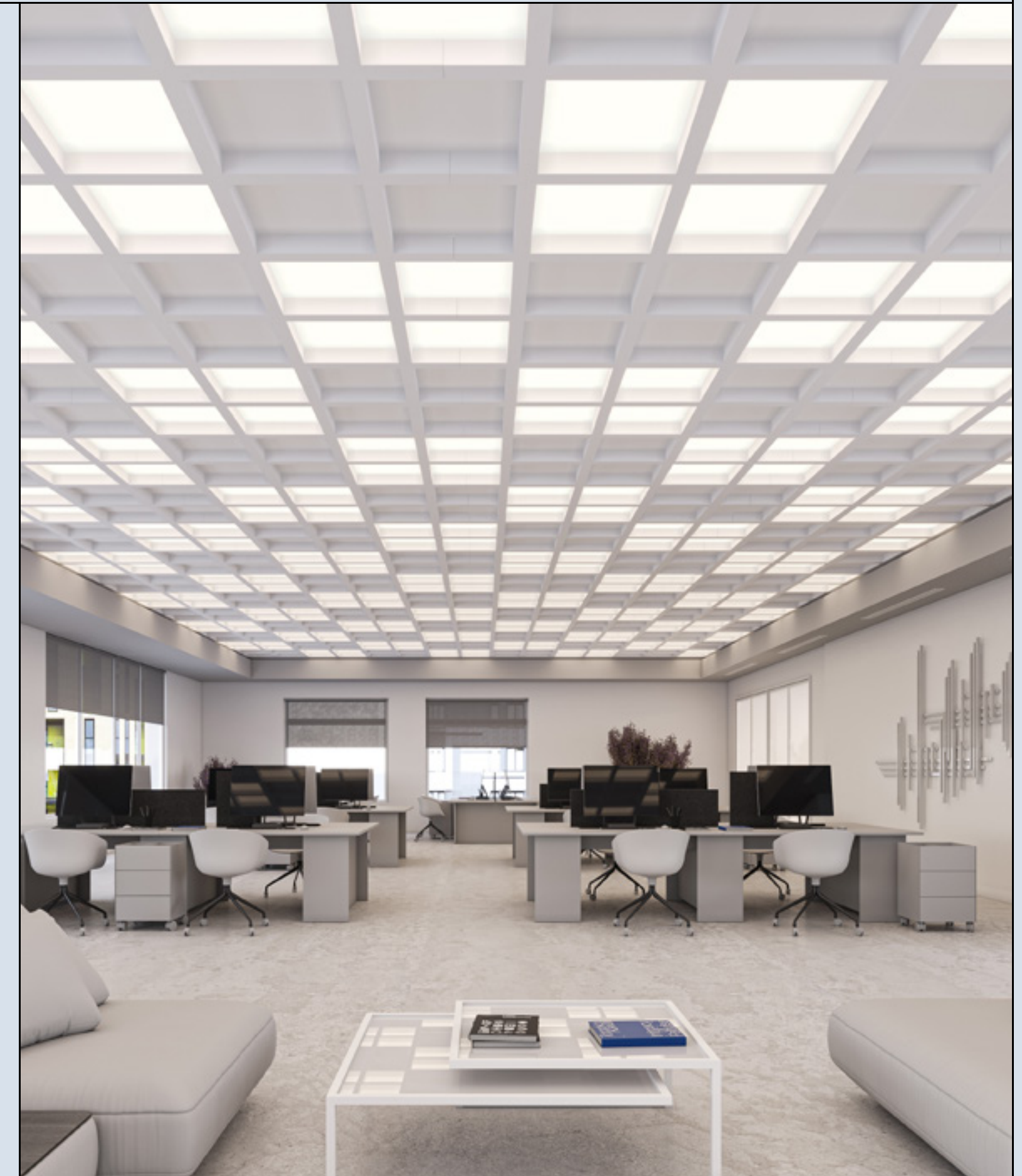
Use available Soft Sound® coffer accessory panels to convert SoftSpan® Trellis Modules into a Coffered Grid to further enhance the acoustics of your space.

01) Soft Sound® Coffered Panel



Create a floating cloud by adding perimeter beams & corners along the perimeter to complete the grid.

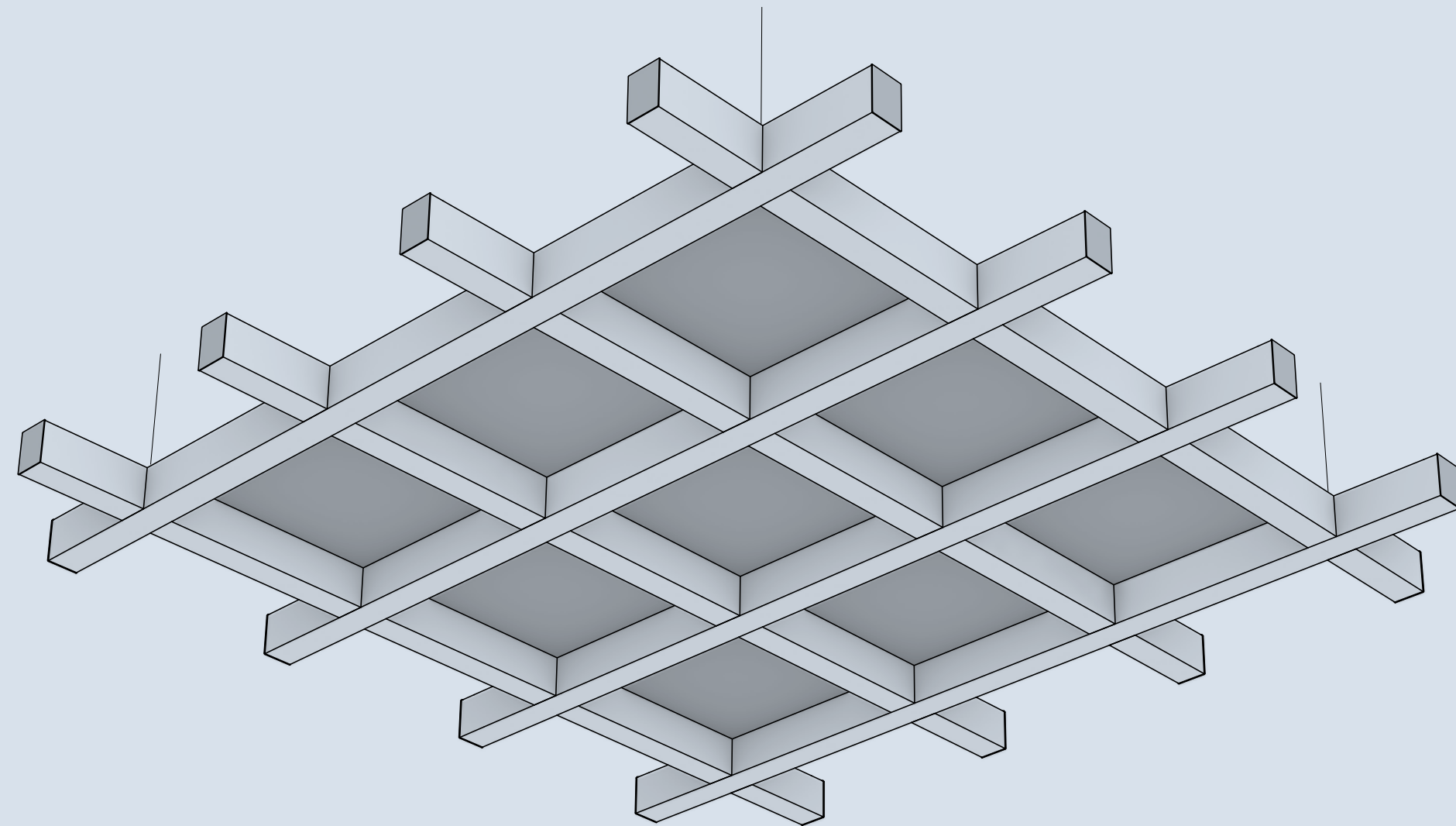
02) Perimeter Beams & Corners



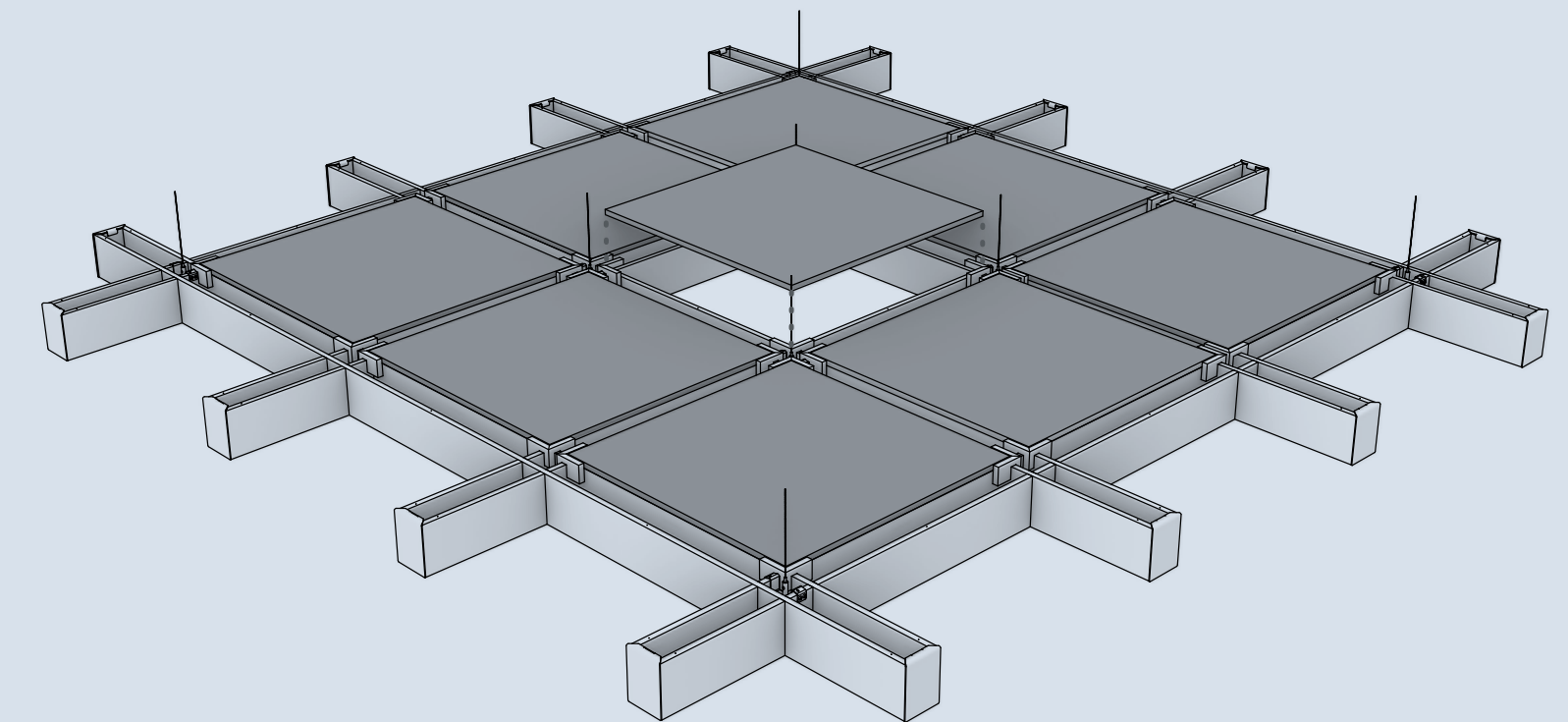
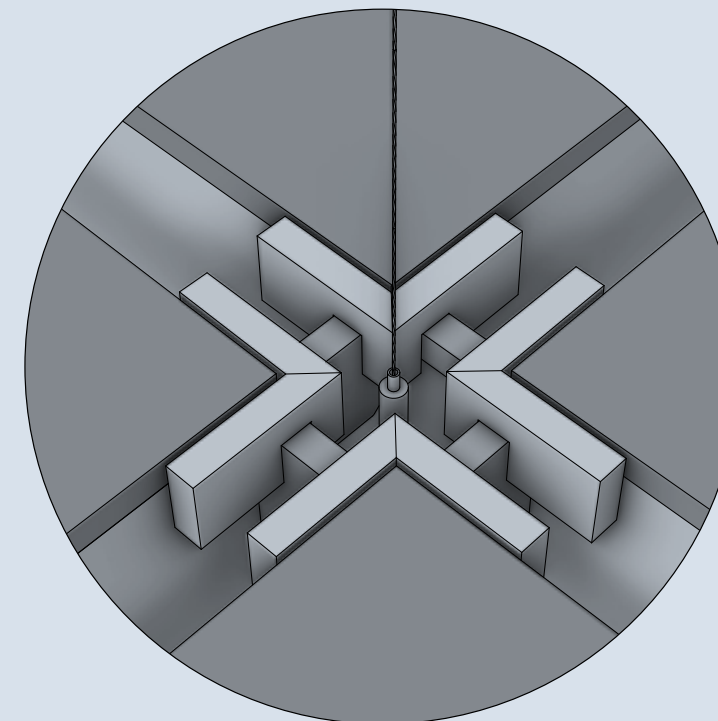
Create a floating cloud by adding perimeter beams & corners along the perimeter to complete the grid.

01) Lighting

(A) Understanding the System (C) Optional Accessories (B) Available Finishes (D) Product Specifications



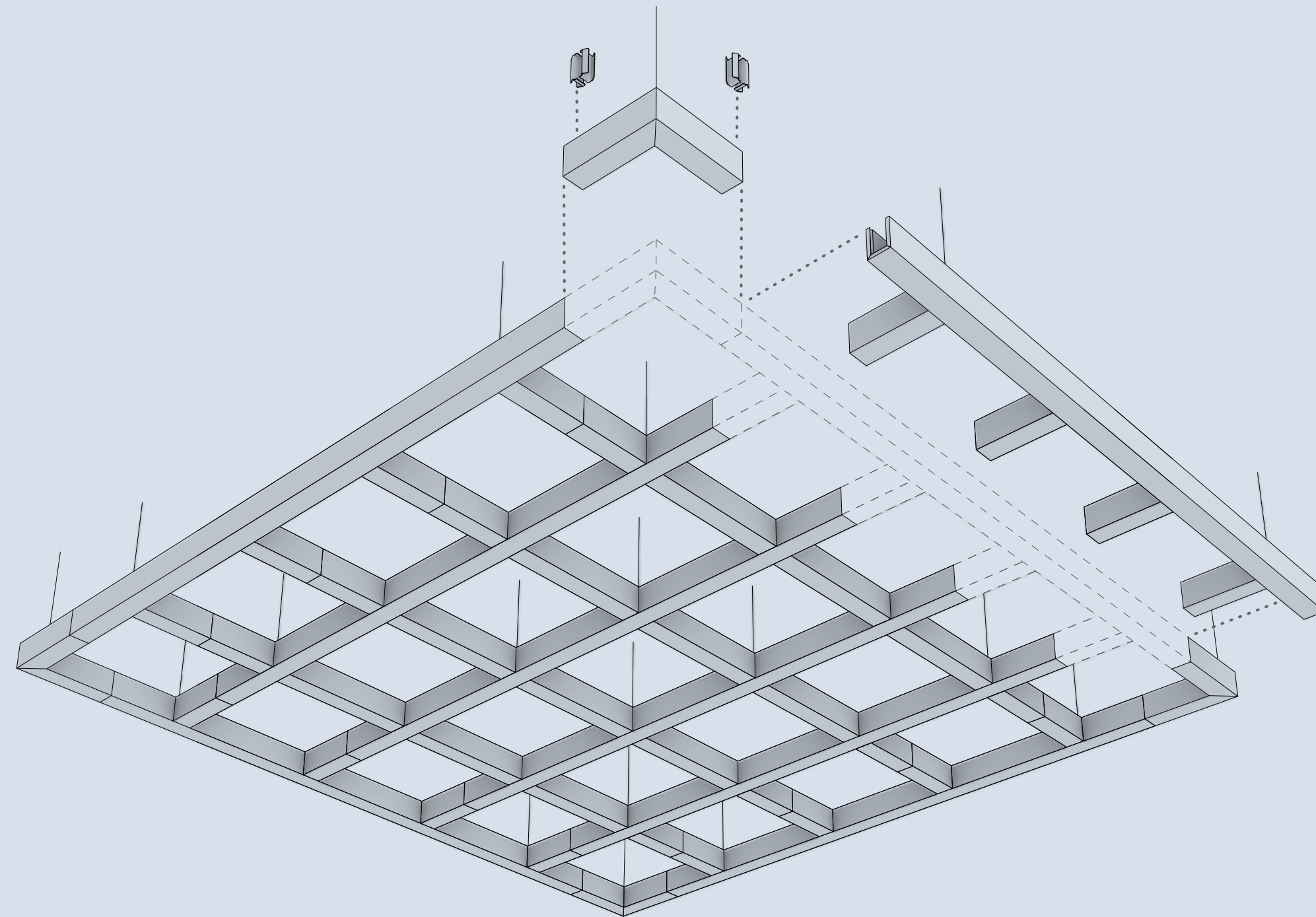
Attachment Detail



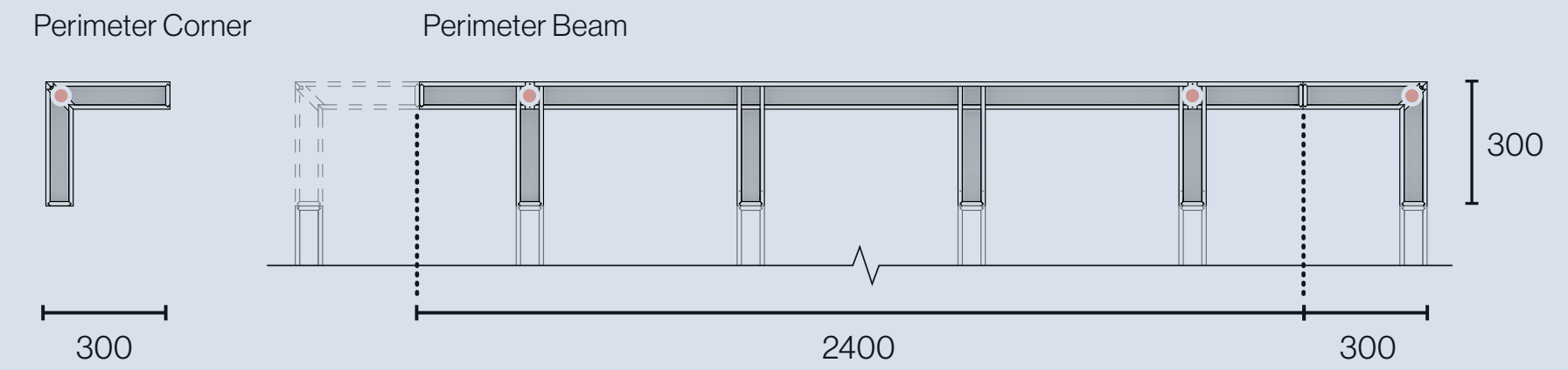
Soft Sound® acoustic infills are available to convert SoftSpan® modules into enclosed coffers capable of absorbing sound.

01) Soft Sound® Coffered Panel

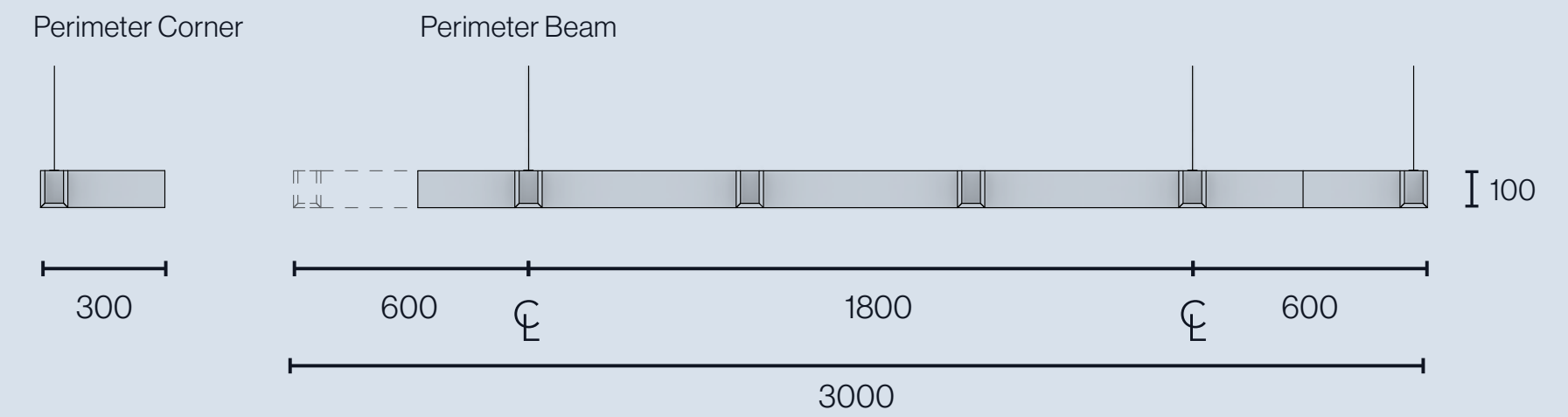
(A) Understanding the System (C) Optional Accessories (B) Available Finishes (D) Product Specifications



Plan



Elevations



Use available closure beams to give each module or grouping a seamless, refined Soft Sound® edge.

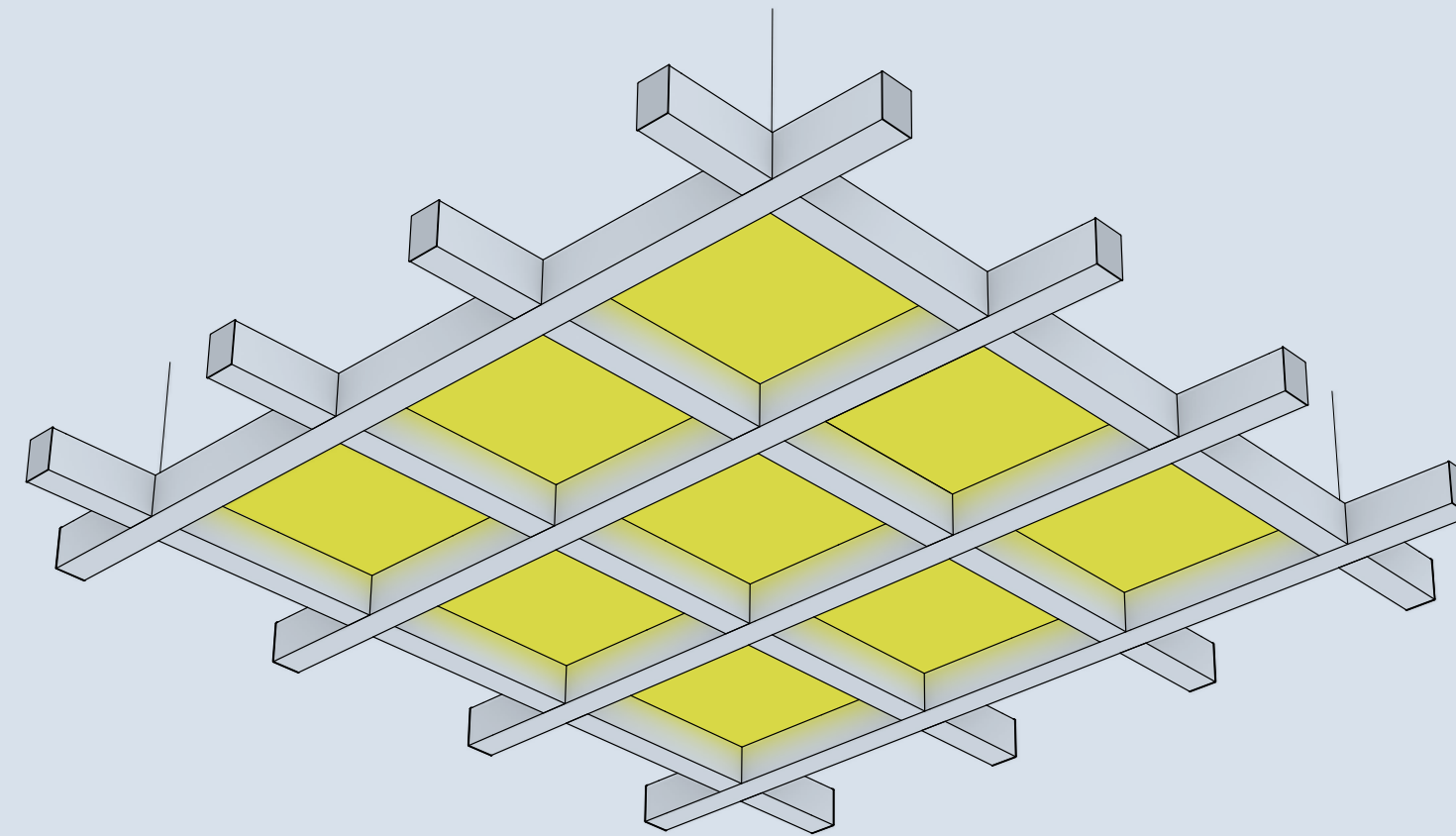
(A) Understanding the System (C) Optional Accessories (B) Available Finishes (D) Product Specifications



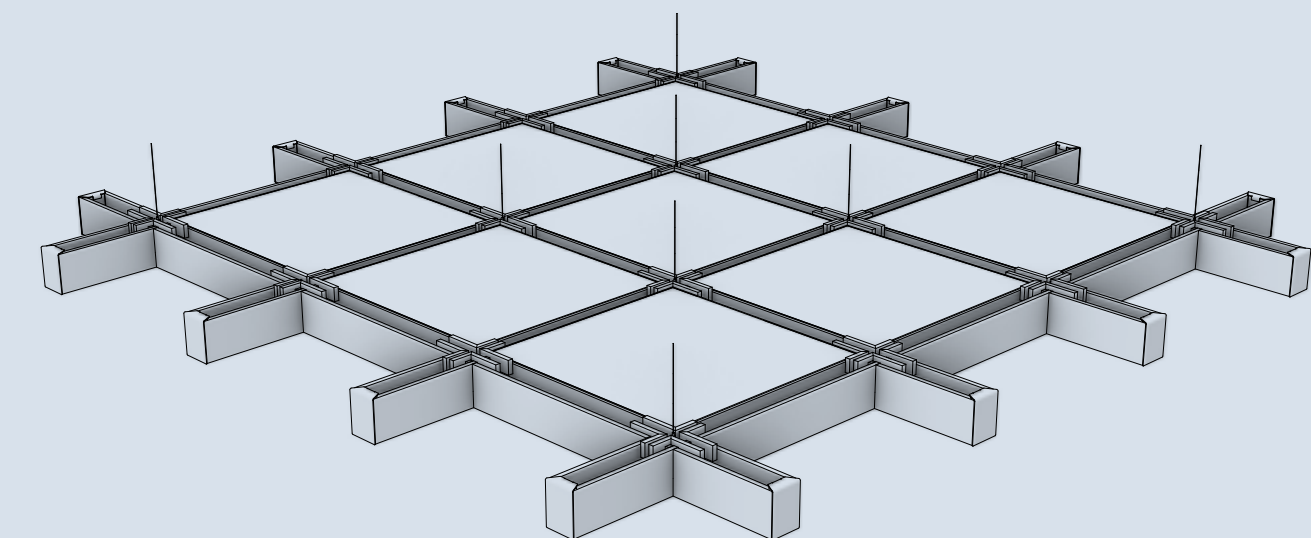
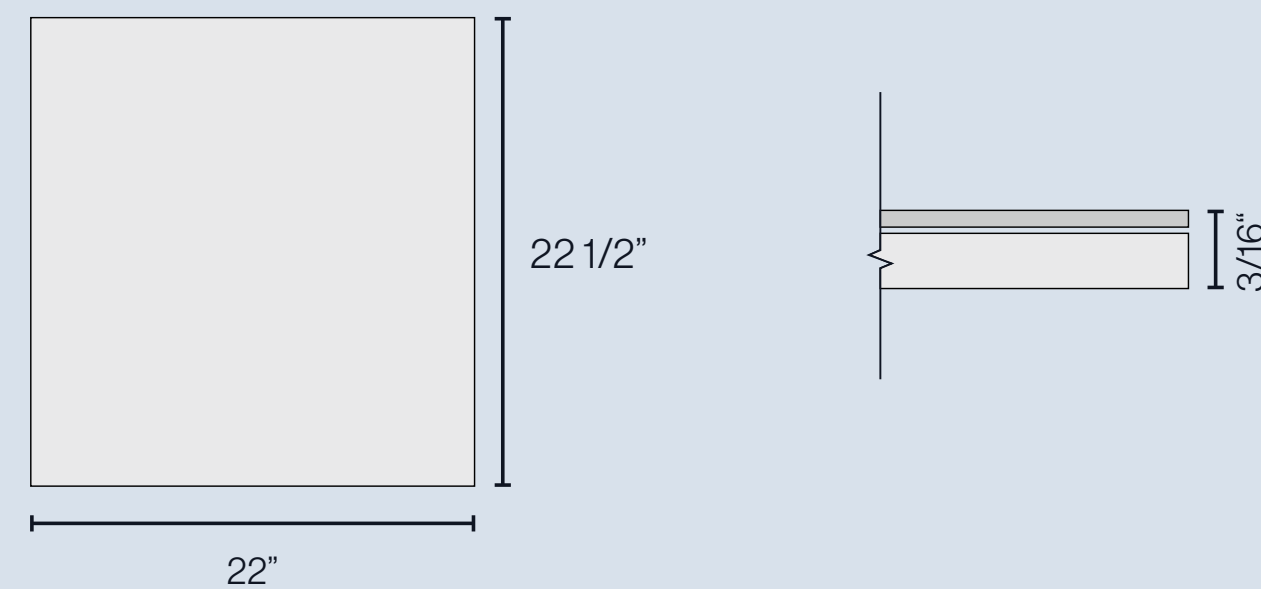
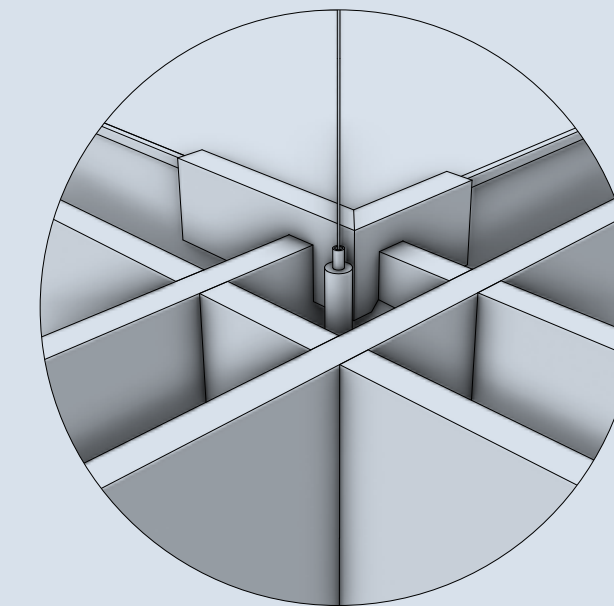
Size	22" x 22 1/2"
Voltage	24V DV
Power Consumption	16 Watts
Light Output	1500 - 1600 lm
Color Temperatures	3000K, 3500K, 4100k
CRI	90+
Dimming Options	MLV, 1-10V, 0-10V
Fire Rating	Not Rated

Use available SoftSpan® Panel Light trim to seamlessly integrate illumination performance.

Apply lighting to 24 trellis modules as desired.

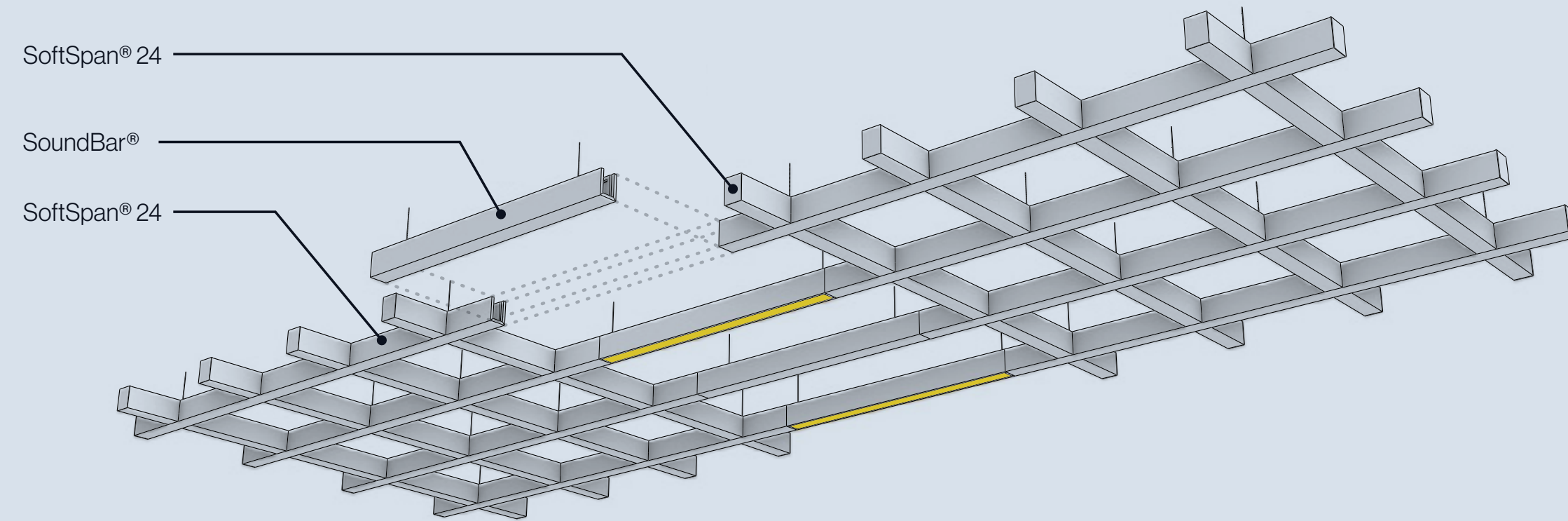


Attachment Detail

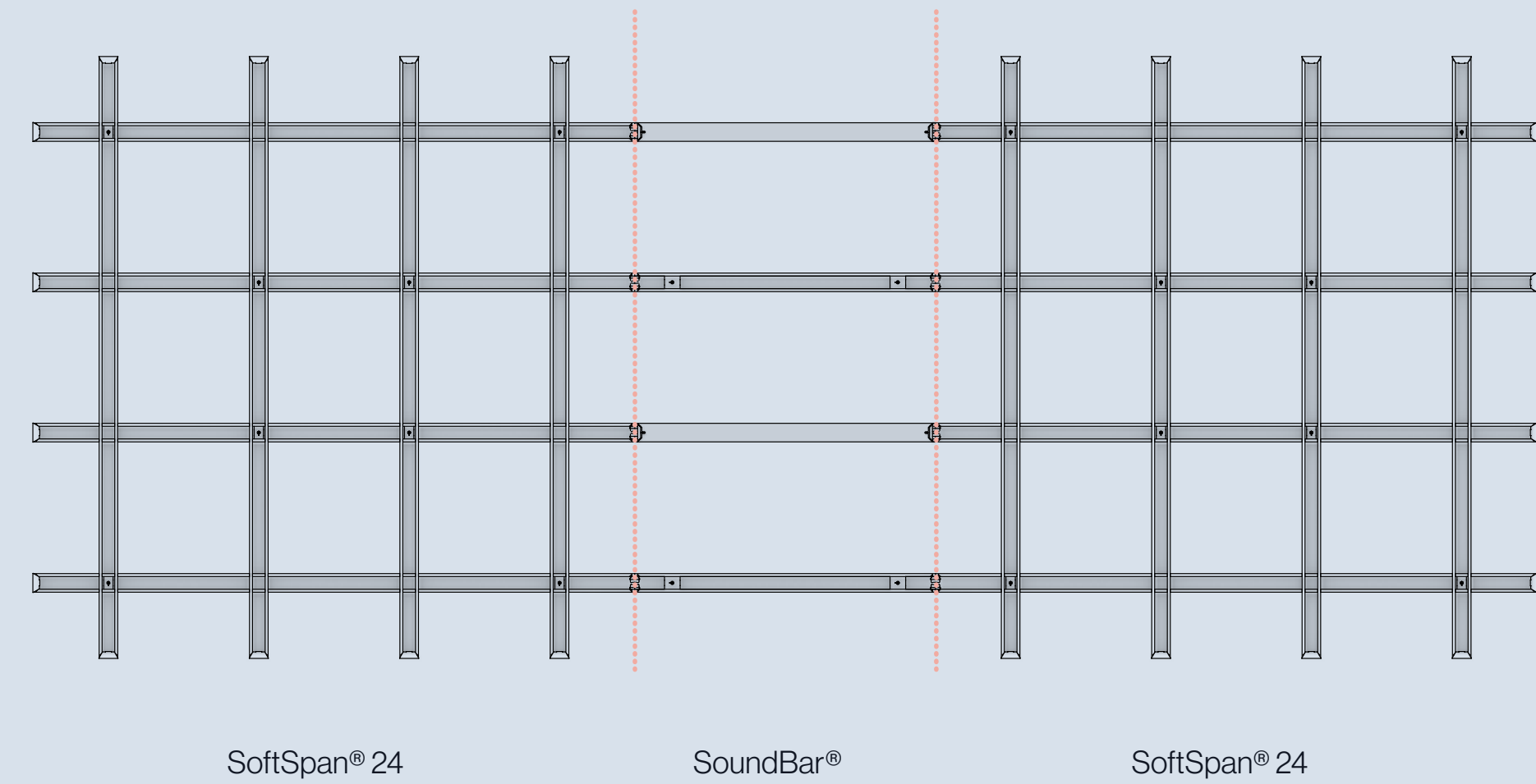


(A) Understanding the System (C) Optional Accessories (B) Available Finishes (D) Product Specifications

Example Perspective View



Example Plan View



Compatible SoundBar® Module Profiles

Width	Height	Length
75	100	600,900,1200,1500,1800,2100,2400,2700

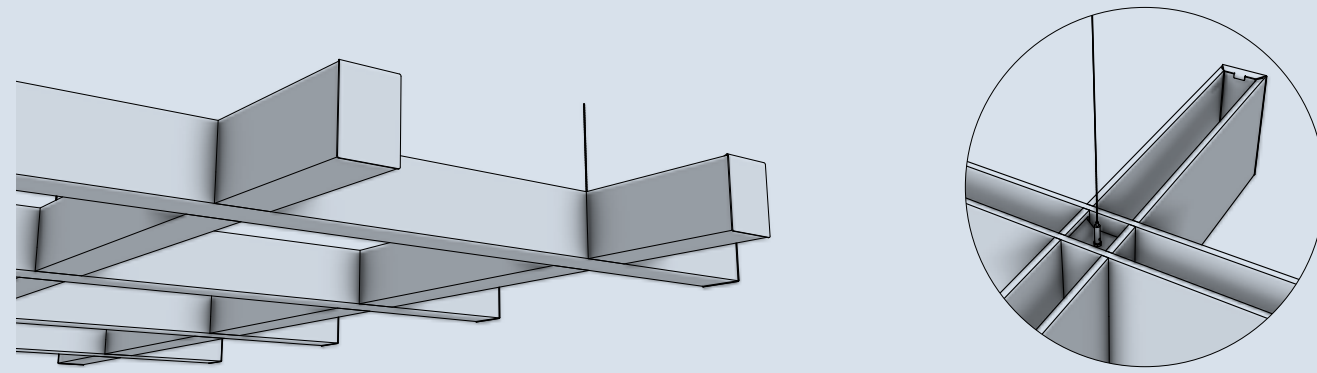
Create unique layouts for acoustics and lighting by combining SoftSpan® modules and perimeter beams and corners with SoundBar® baffles.

Our module joining bracket allows for simple connectivity between the two systems.

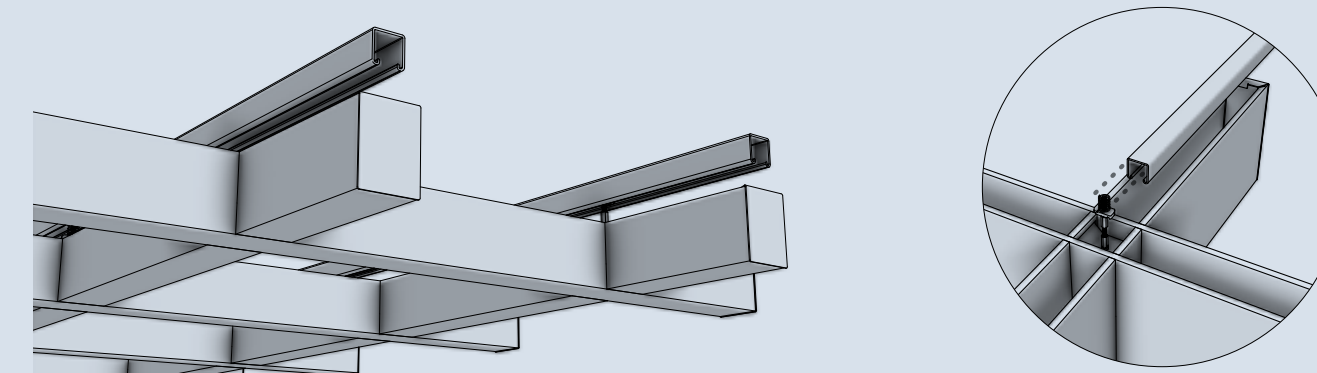
Connectivity with SoundBar®

(A) Understanding the System (C) Optional Accessories (B) Available Finishes (D) Product Specifications

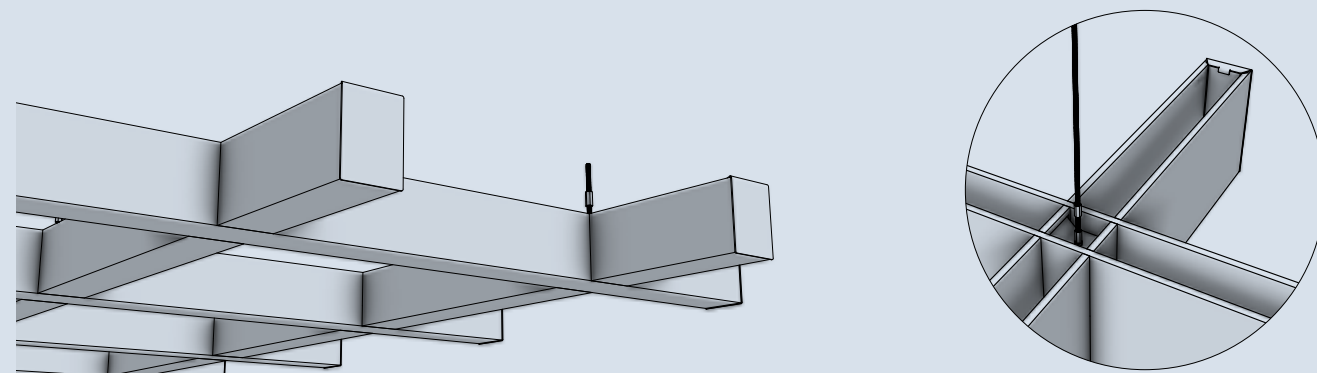
Cable Mount



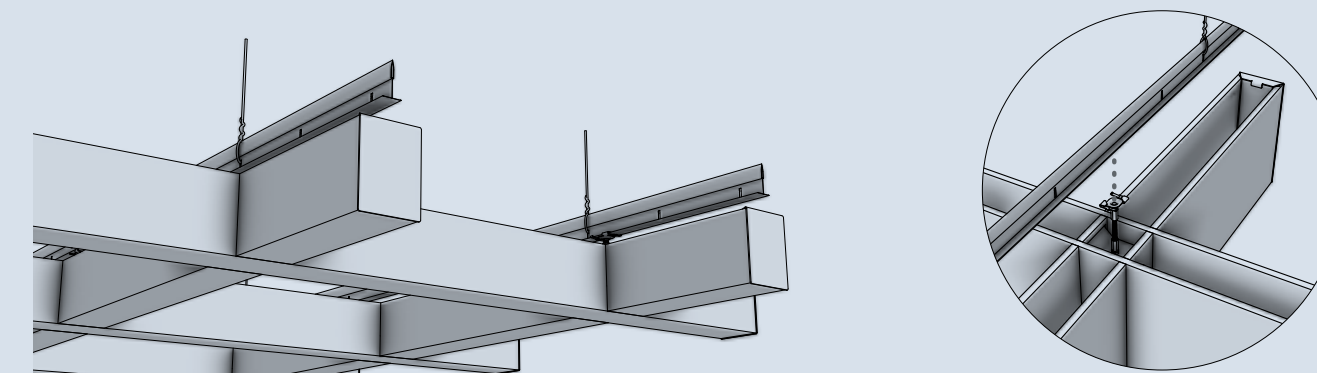
Strut Mount



All Thread



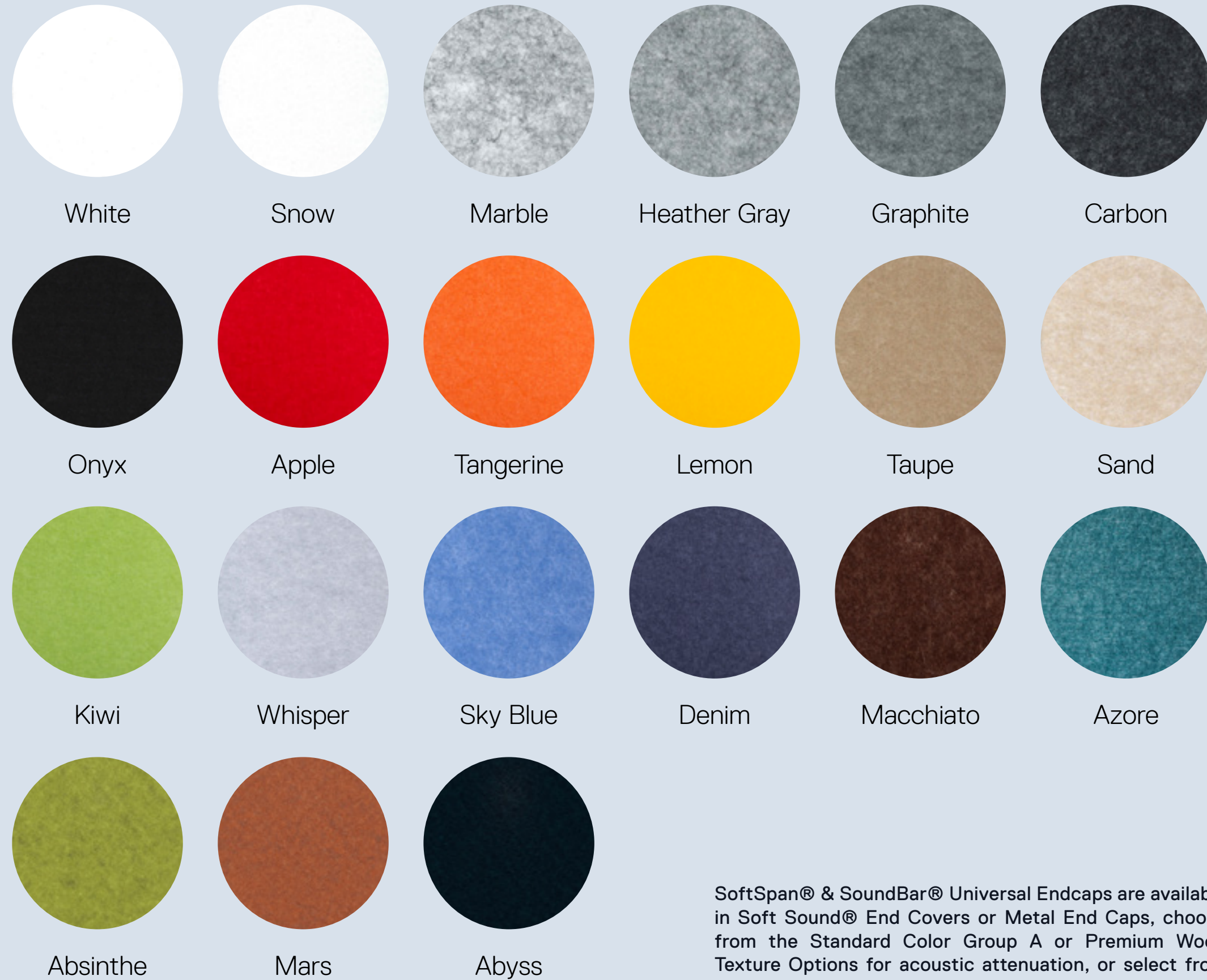
Grid Mount



SoftSpan® modules utilize an preconfigured assortment of attachment Options. Specify Cable Hung, All Thread, Strut Mount, and Grid Mount.

For further information regarding specification of these attachment methods contact your Arktura Sales Rep.

(A) Understanding the System (C) Optional Accessories (B) Available Finishes (D) Product Specifications



SoftSpan® & SoundBar® Universal Endcaps are available in Soft Sound® End Covers or Metal End Caps, choose from the Standard Color Group A or Premium Wood Texture Options for acoustic attenuation, or select from our expanding Powder Coat finish options. The possibilities are seemingly endless.

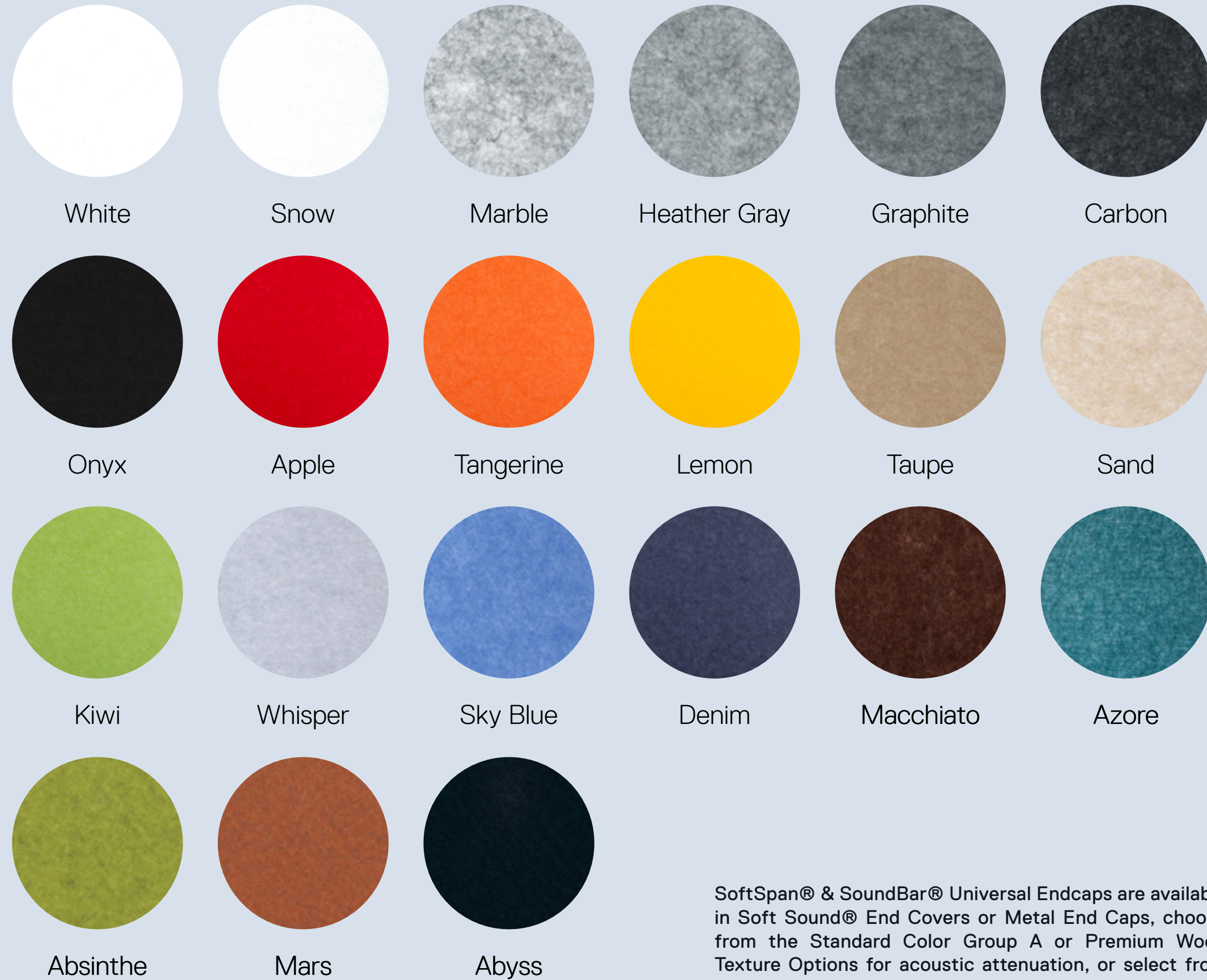


(i) Small circles indicate the core of texture.

As with natural wood, variation in color and grain is expected and grain will not align across panels.

Due to the nature of non-woven materials, light may pass through Soft Sound® in any thickness or color. A translucent appearance is most apparent in lighter colors and thin material when a light source is present behind the material. Arktura makes no claims or warranties about the material performing as opaque in any circumstance. To verify a products performance for light transmittance, a mockup of the specific intended use is recommended.

(A) Understanding the System (C) Optional Accessories (B) Available Finishes (D) Product Specifications



SoftSpan® & SoundBar® Universal Endcaps are available in Soft Sound® End Covers or Metal End Caps, choose from the Standard Color Group A or Premium Wood Texture Options for acoustic attenuation, or select from our expanding Powder Coat finish options. The possibilities are seemingly endless.



(i) Small circles indicate the core of texture.

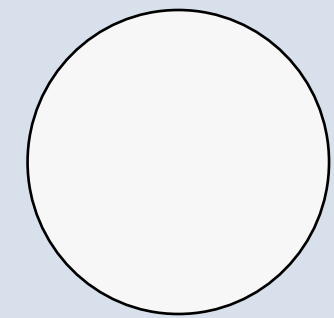
As with natural wood, variation in color and grain is expected and grain will not align across panels.

Due to the nature of non-woven materials, light may pass through Soft Sound® in any thickness or color. A translucent appearance is most apparent in lighter colors and thin material when a light source is present behind the material. Arktura makes no claims or warranties about the material performing as opaque in any circumstance. To verify a products performance for light transmittance, a mockup of the specific intended use is recommended.

(A) Understanding the System (C) Optional Accessories (B) Available Finishes (D) Product Specifications

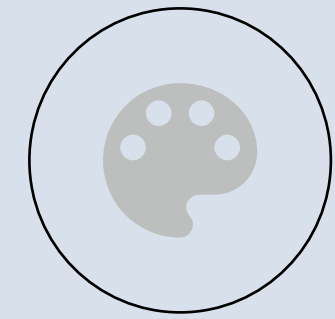


All premium and standard finishes shown are designed for interior specifications. Products may be specified for exterior use, and with all treatments required by local code or facility, including custom color match or specialty finishes. Any changes to specification from interior standard or interior premium will result in a custom powder coat fee.

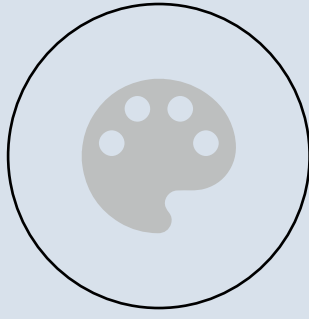


Optional Translucent Backer

Polycarbonate
Available in interior and UV stable exterior options.



Non-stock
RAL



Non-stock
Metallic

This color was designed to pair with Armstrong color "WH" grid and trim.

We offer premium non-stock RAL and custom color match options as well. Contact your sales rep for more information.

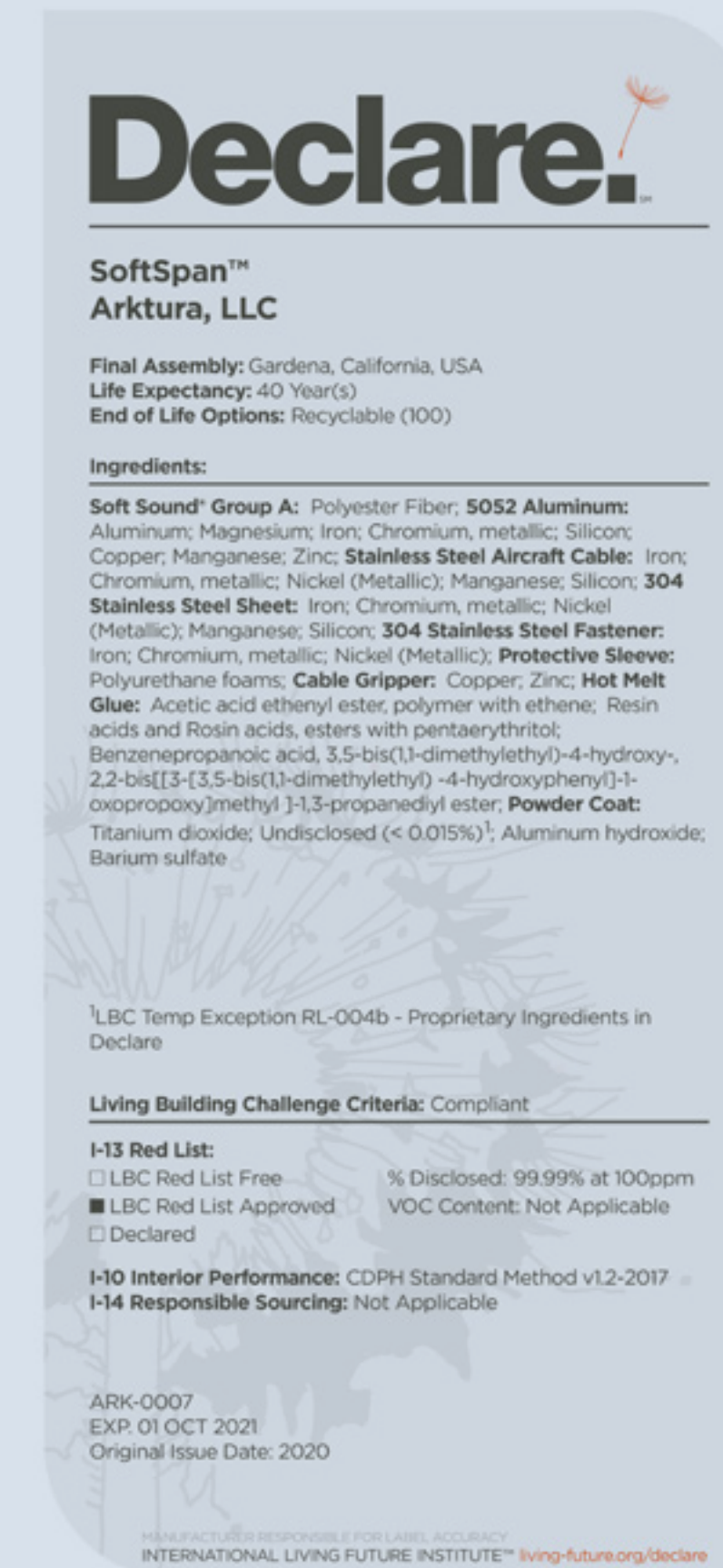
01) Universal Metal End Cap Color - Powder Coat - **STANDARD**

02) **PREMIUM**

03) **CUSTOM**

(A) Understanding the System (C) Optional Accessories (B) Available Finishes (D) Product Specifications

Dimensions (WxLxD)	2400 x 2400 x 100
Material	12mm Soft Sound® (PET)
End Cap Material	Powder Coated Aluminum
Openness in Plan	77%
Fire Rating	ASTM E84 - Class A
Attachment Method	Cable Hung, All Thread, Strut Mount, Grid Mount
Accessibility	Yes, quick release cables
Trimmability	Yes, per installation manual
Optional Accessories	Coffer Panels (Product Design Consultant Gensler), Perimeter Beams & Corners
Acoustics	True NRC™ 0.5: Trellis - True NRC™ 0.85: Coffer ; F-100 Method



(A) Understanding the System (C) Optional Accessories (B) Available Finishes (D) Product Specifications

French Regulations	A+
Italian Regulations	✓
M1	M1
BREEAM	✓
LEED	✓
AgBB/ABG	✓

X: Not Compliant
✓: Compliant



[PENDING]

Our low to no VOC levels comply with the above regulations and certifications.

(A) Understanding the System (C) Optional Accessories (B) Available Finishes (D) Product Specifications

Each SoftSpan 24 Module is Made from 1098 Recycled Water Bottles.



SoftSpan® 24

(V) PRODUCT LINE

NOWN.COM
ARKTURA.COM

Creating a dimensional grid that is a flexible, scalable system of gridded beams across 4 designs.



SoftSpan® 24



SoftSpan® 48

SIMPLY
ELEVATED

SoftSpan® 24

(V) PRODUCT LINE

Multiple shapes, colors, sizes and flavours to shape any architectural interior.

NOWN.COM
ARKTURA.COM

SIMPLY
ELEVATED



SoftSpan®
24

SoftSpan® 48A



SoftSpan® 96

23

NOWN
ARKTURA

NOWN

ARKTURA