

SoundBar®

OPEN & CLOSED GRID CEILING

LAST UPDATED
INQUIRIES

04—2023
INFO @ NOWN.COM

NOWN
A R K T U R A

**SIMPLY
ELEVATED**



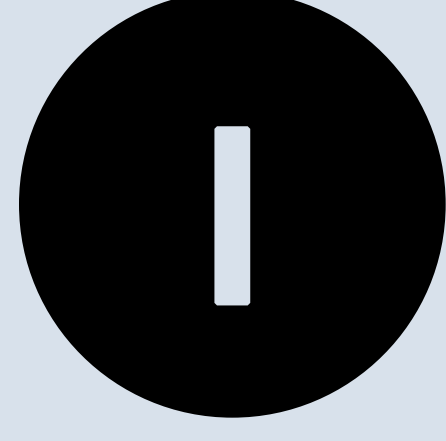
FOLLOW @ NOWN OFFICIAL

YOUTUBE

INSTAGRAM

FACEBOOK

LINKEDIN



KEY FEATURES



INSPIRATION



OVERVIEW



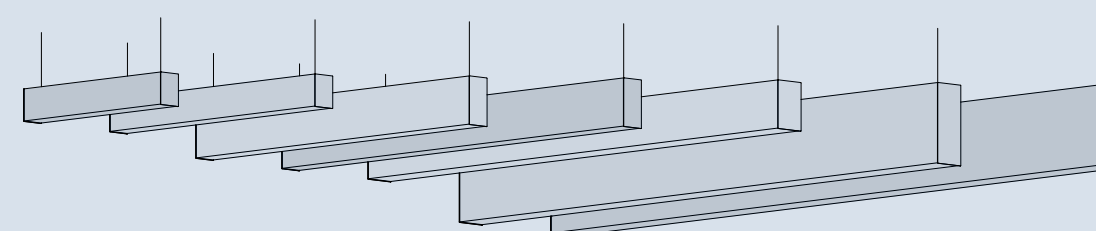
ACOUSTIC PERFORMANCE



PRODUCT LINE

SoundBar® acoustical baffle & lighting system delivers high performance noise reduction and sleek integrated illumination in a single cost-effective, versatile product. Choose from an assortment of lengths, widths, and depths, in Up, Down, or Duo lighting configurations, with power integrated into its suspension cable, simplifying install and removing the unsightly clutter of cords.

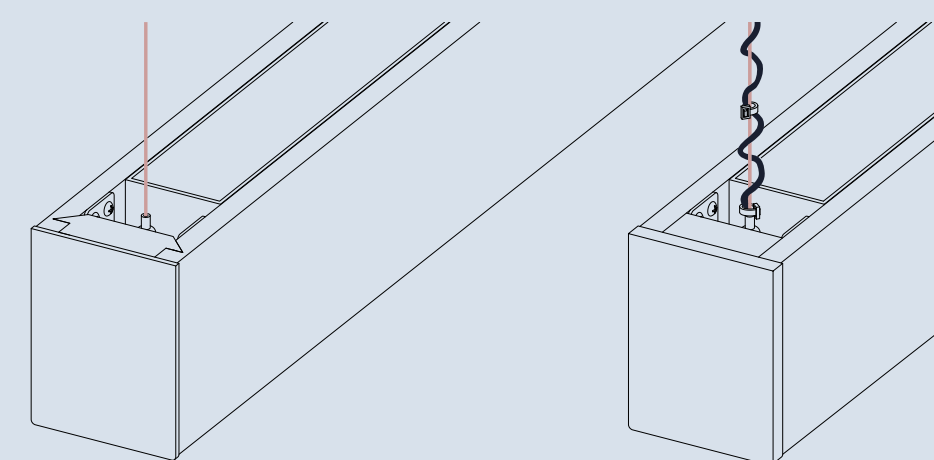
Its NOWN Soft Sound® acoustical material construction makes SoundBar® capable of achieving NRC ratings of up to 1.15. Units are available in a wide range of colors, including wood textures, and can be easily mixed and arranged as desired to achieve an endless array of dynamic layouts. Use SoundBar® to bring an impactful combination of style and function to your next project.



Explore our range of accessory options. Enhance acoustic performance with Soft Sound® Coffered Panels, enclose modules with optional perimeter beam and corner modules to expand design possibilities, or use our new Panel Lighting to illuminate your space!

01) Range of Profiles & Expanding Soft Sound® Library

3

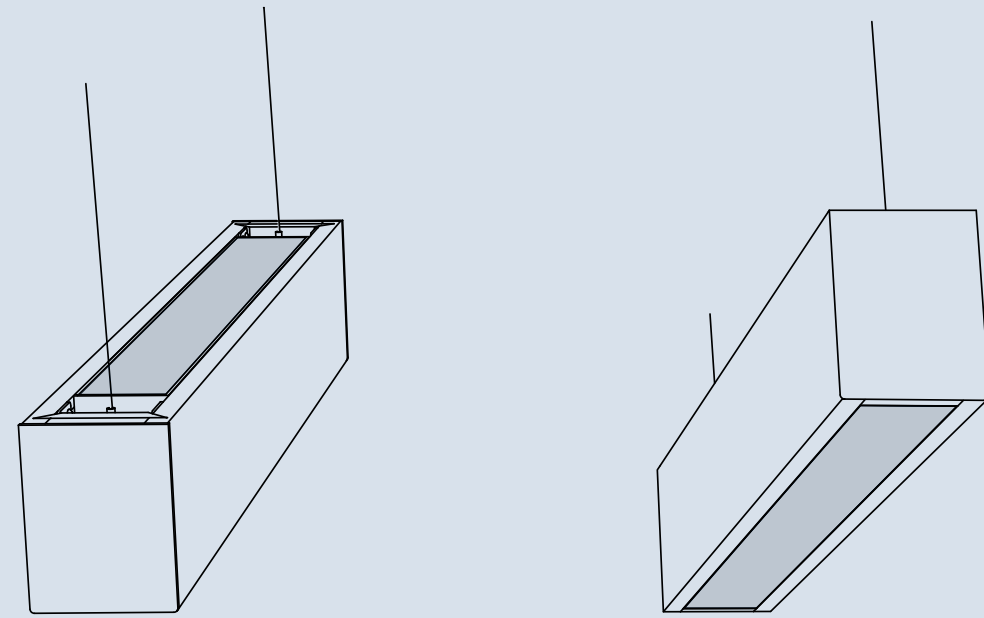


NOWN

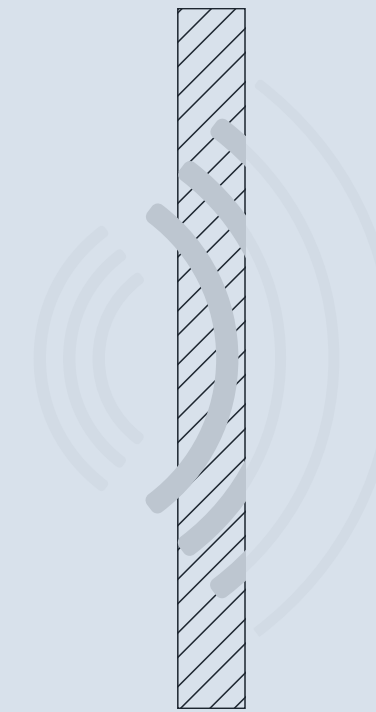
OTHERS

SoftSpan® in Soft Sound® Wood Texture brings the aesthetics of a timber trellis into your space without the weight while also adding acoustic performance.

02) Minimal Hanging & Power Hardware



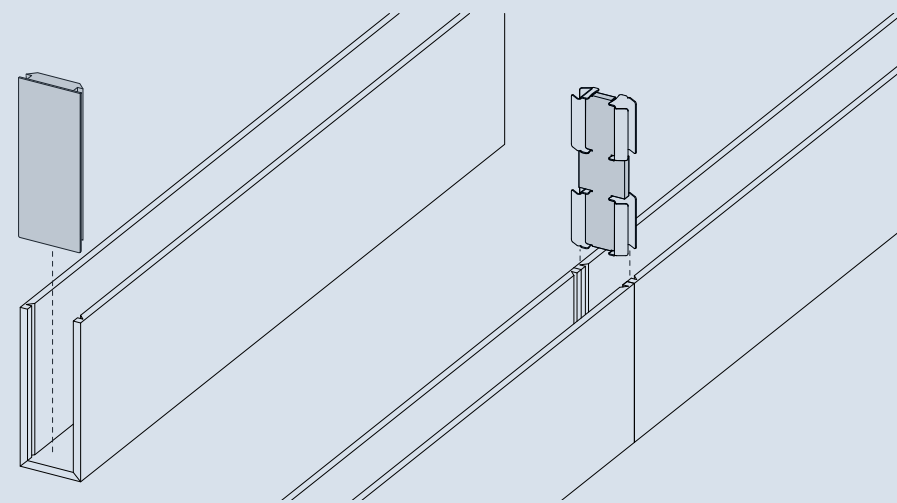
SoundBar® offers two lighting options, Up or Down, allowing you to illuminate spaces in a variety of functional and decorative ways.



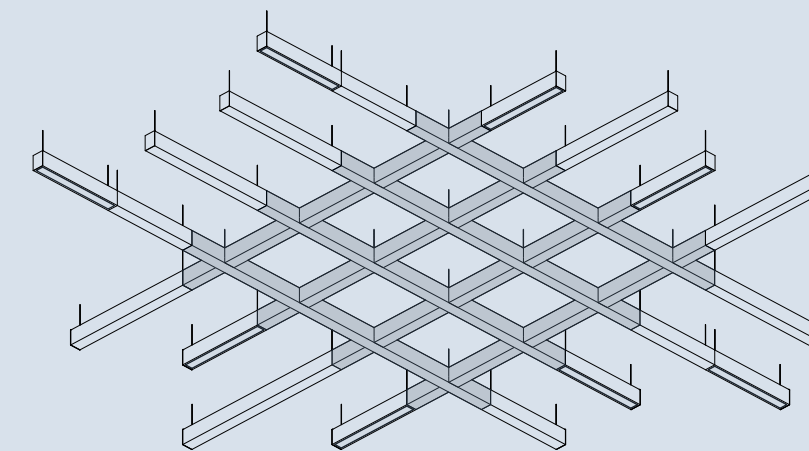
SoundBar®'s Soft Sound® material reduces the impact of noise from everyday annoyances like ringing, typing, and chatter resulting in a more pleasant and productive environment. Its material works in concert with the design to help reduce and control reverberations leaving a lasting impression at scales ranging from assembly halls to conference rooms.

03) Integrated Lighting Options

04) Reduce Noise & Enhance Acoustics



Choose end caps that blend with your color choice or choose a color scheme that works with the branding of the space. Combine SoundBars with joiner brackets, resulting in a seamless acoustic beam.



SoundBar® offers connectivity with SoftSpan® 24, 48, and 48A modules and perimeter and corner beams to create a multitude of unique layouts with visual continuity across a space.

05) Versatile Endcaps & Universal Joiner Bracket

06) Compatible with SoftSpan®



Create Dynamic Integrated Lighting Effects



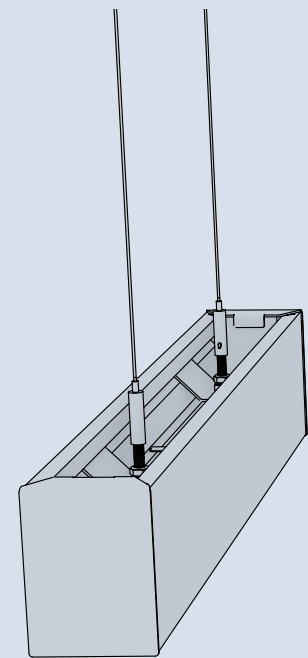
Integrate Acoustic Control and Lighting



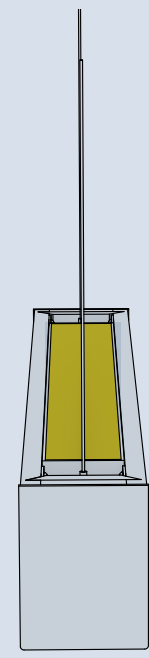
SoundBar® is Also Available in Wood Texture

(A) Understanding the System (C) Optional Accessories (B) Available Finishes (D) Product Specifications

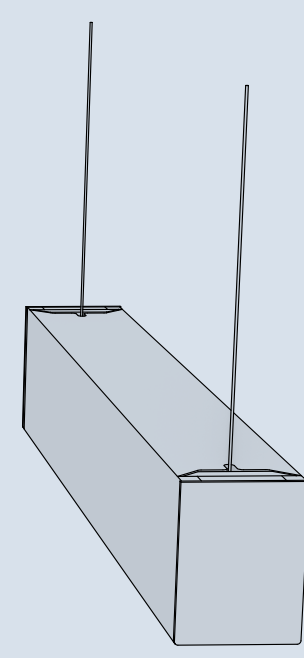
Top View



SoundBar®

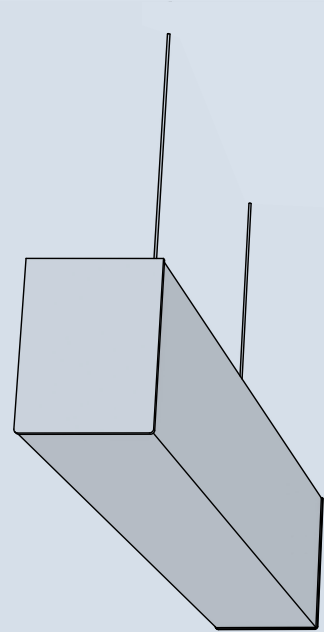


SoundBar® Up

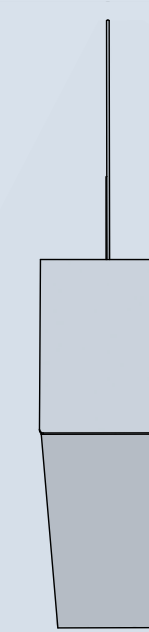


SoundBar® Down

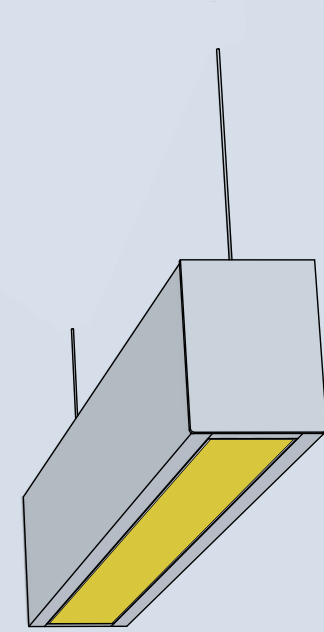
Bottom View



SoundBar®



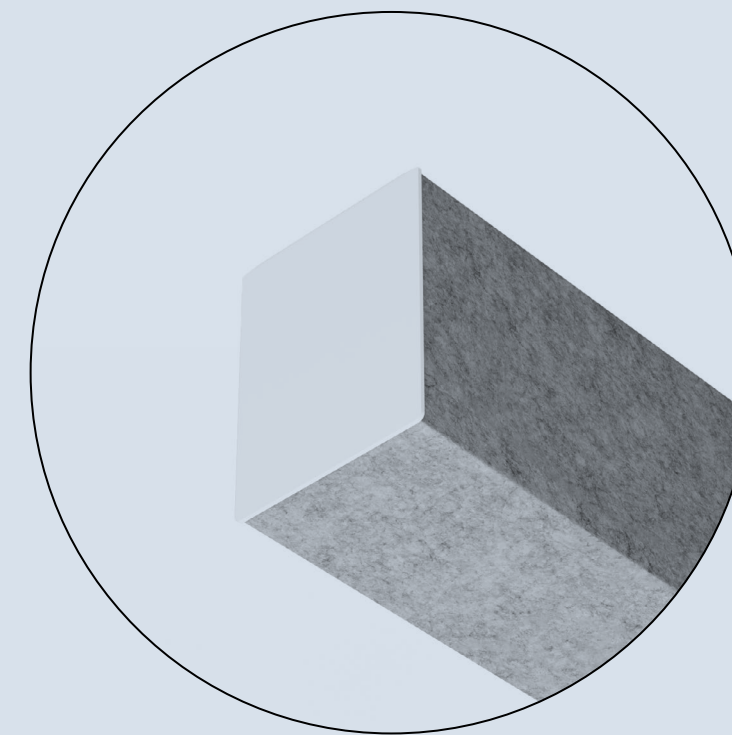
SoundBar® Up



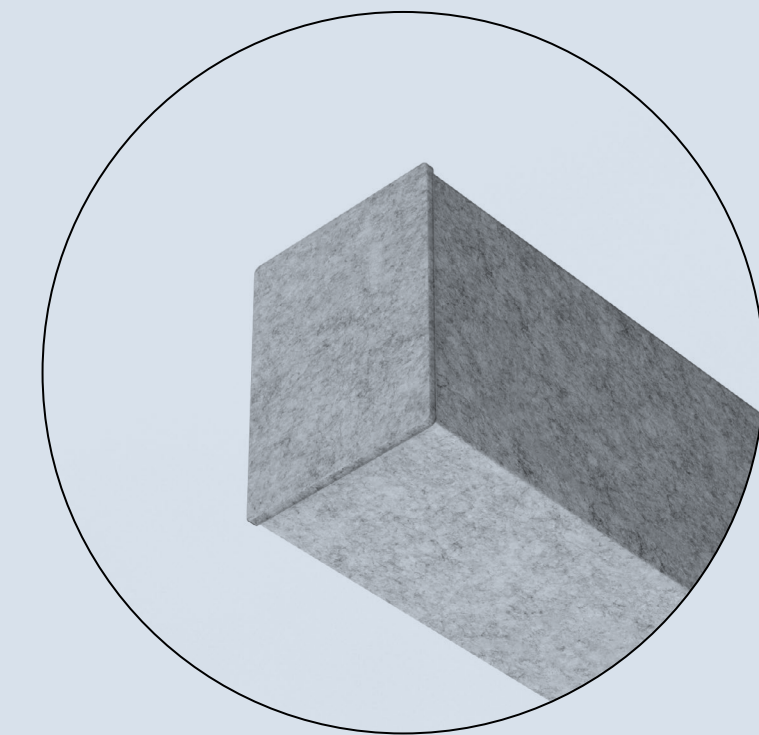
SoundBar® Down

Choose from four available SoundBar® configurations, all made with Soft Sound® acoustical material.

01) Standard Configurations



Universal Metal End Cap



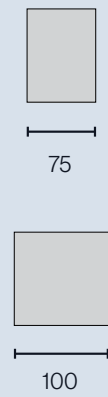
Soft Sound® End Cover

Choose from our Universal Metal or Soft Sound® End Cap or End Cover. End Caps and Covers are universal to SoundBar® and SoftSpan® baffles, modules, and accessory end conditions.

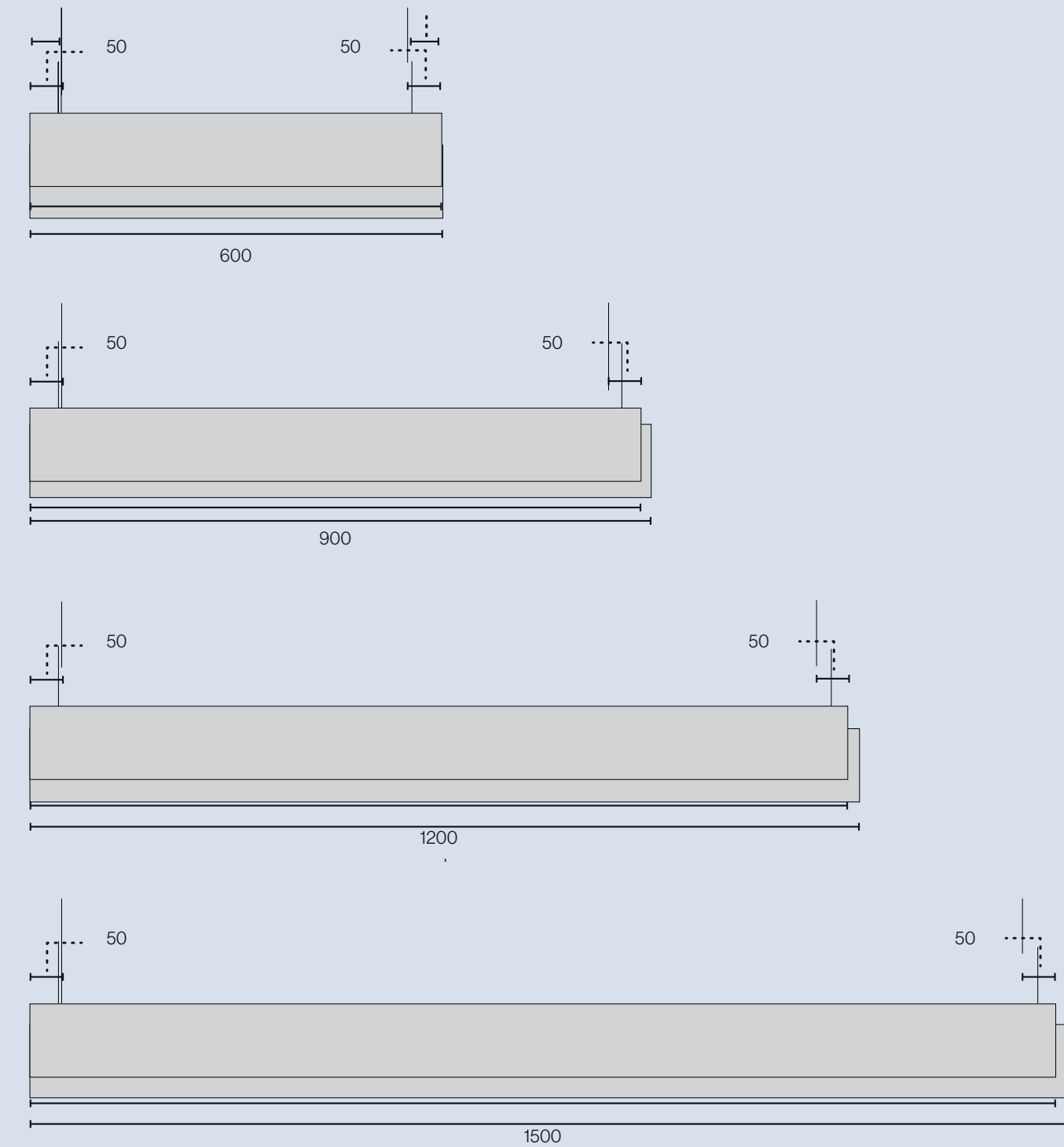
02) End Cap / Cover Options

(A) Understanding the System (C) Optional Accessories (B) Available Finishes (D) Product Specifications

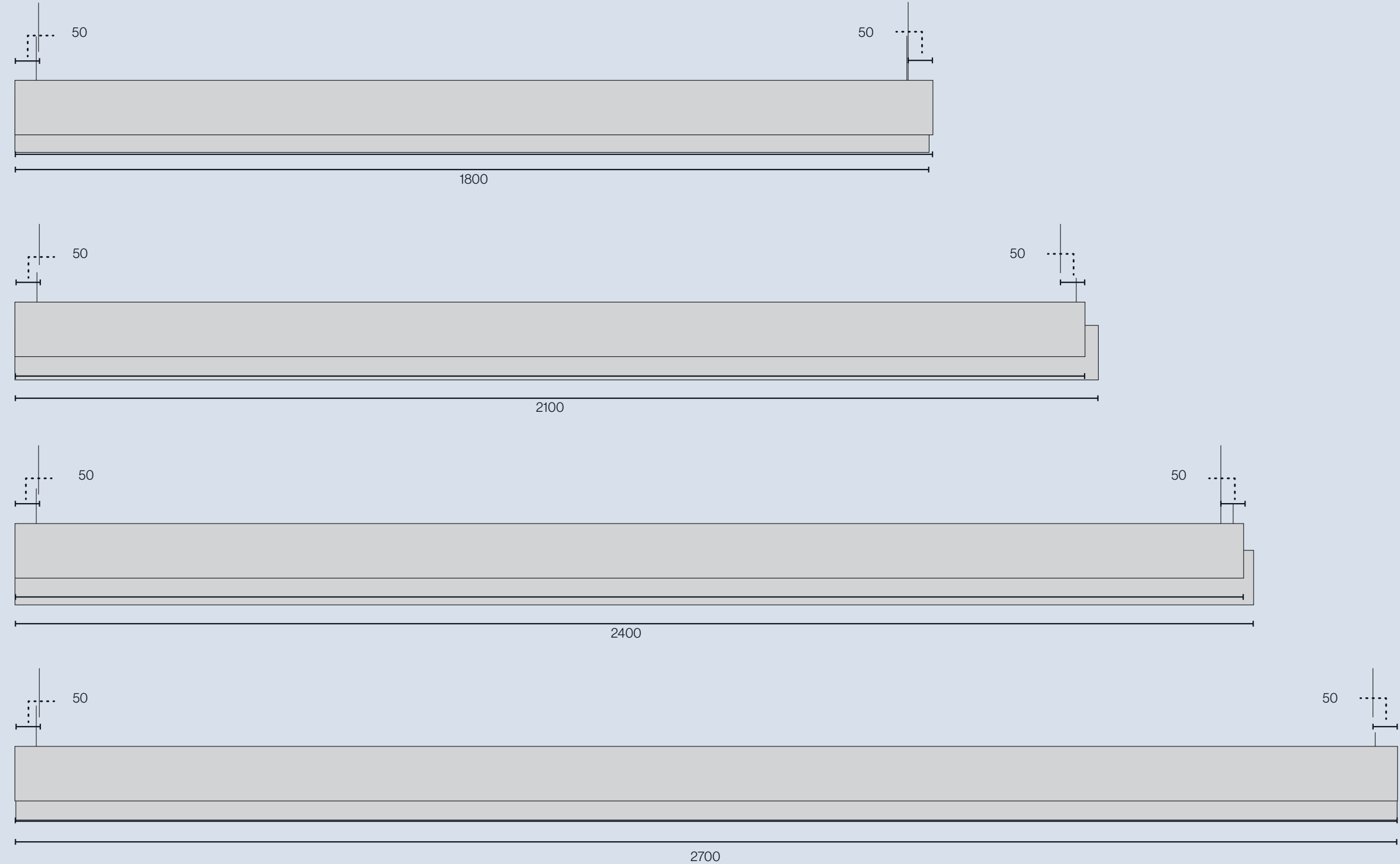
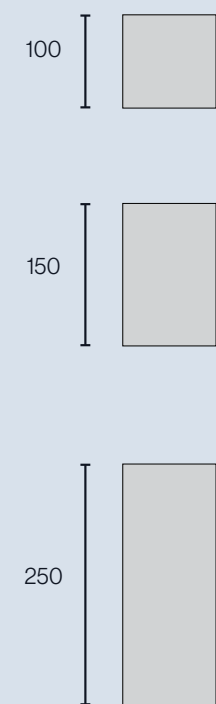
Widths



Lengths

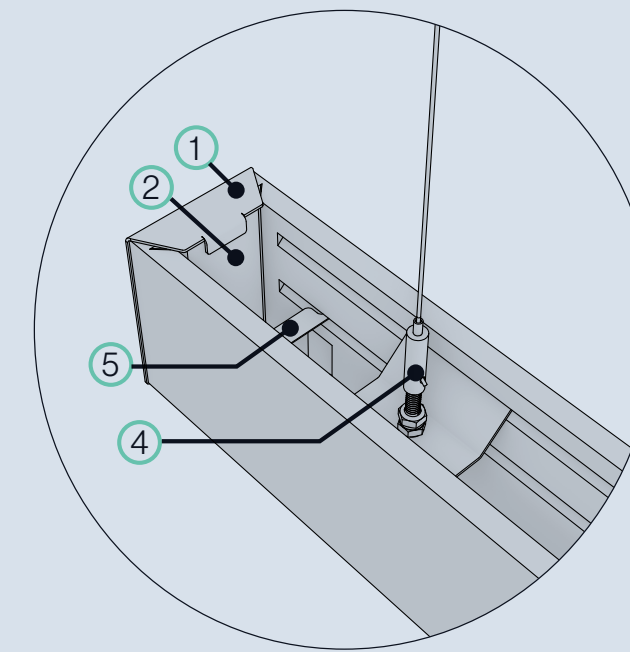
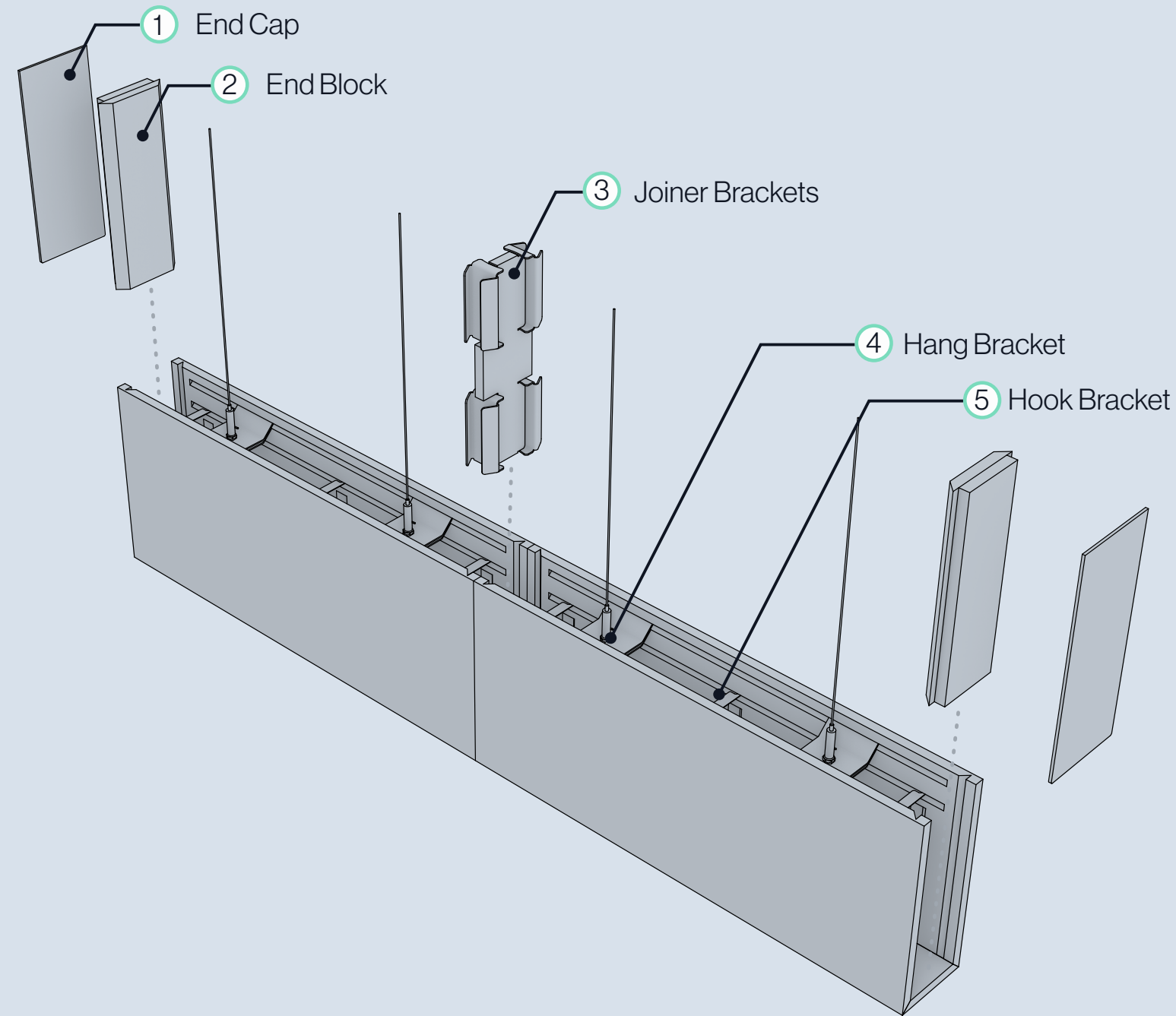


Depths

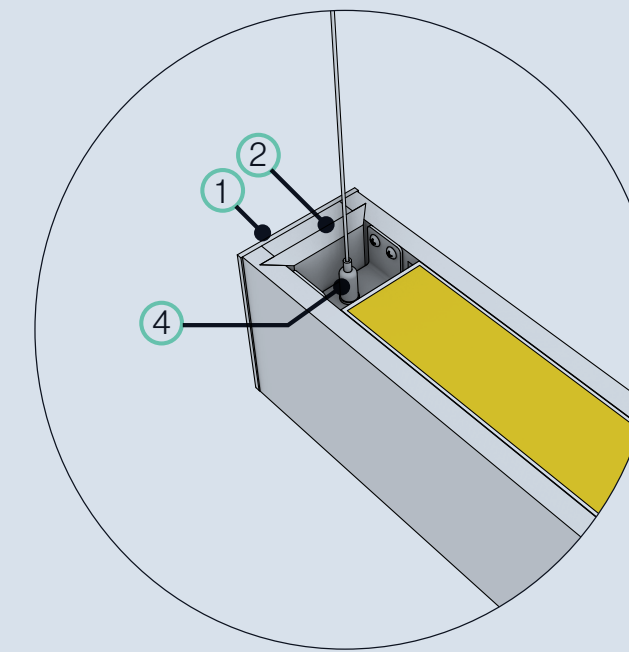


SoundBar® is available in 300mm in length, depths of 100, 150, and 250, and widths of 75 and 100.
SoundBar 100 x 100 Baffles are not offered as a option to this system due to NOWN's commitment to material efficiency.
For complete list of compatible modules to connect with SoundBar Universal Joiner Brackets, please complete this Brochure.

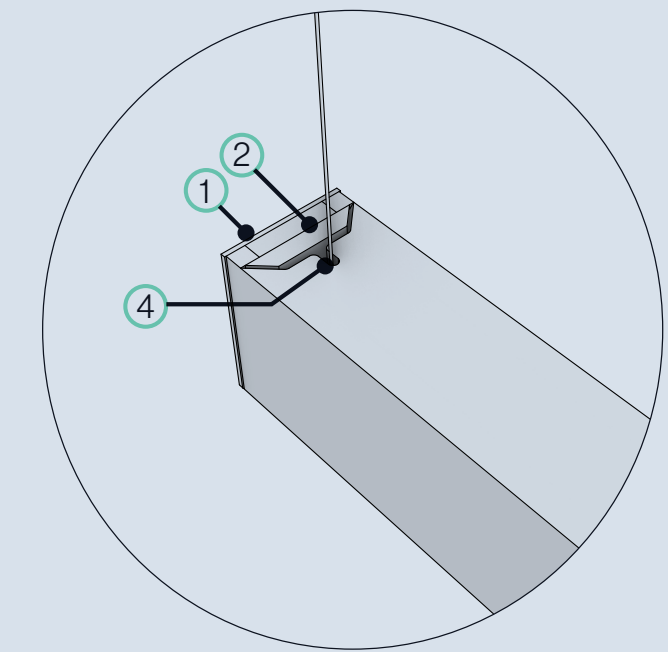
(A) Understanding the System (C) Optional Accessories (B) Available Finishes (D) Product Specifications



SoundBar®



SoundBar® Up

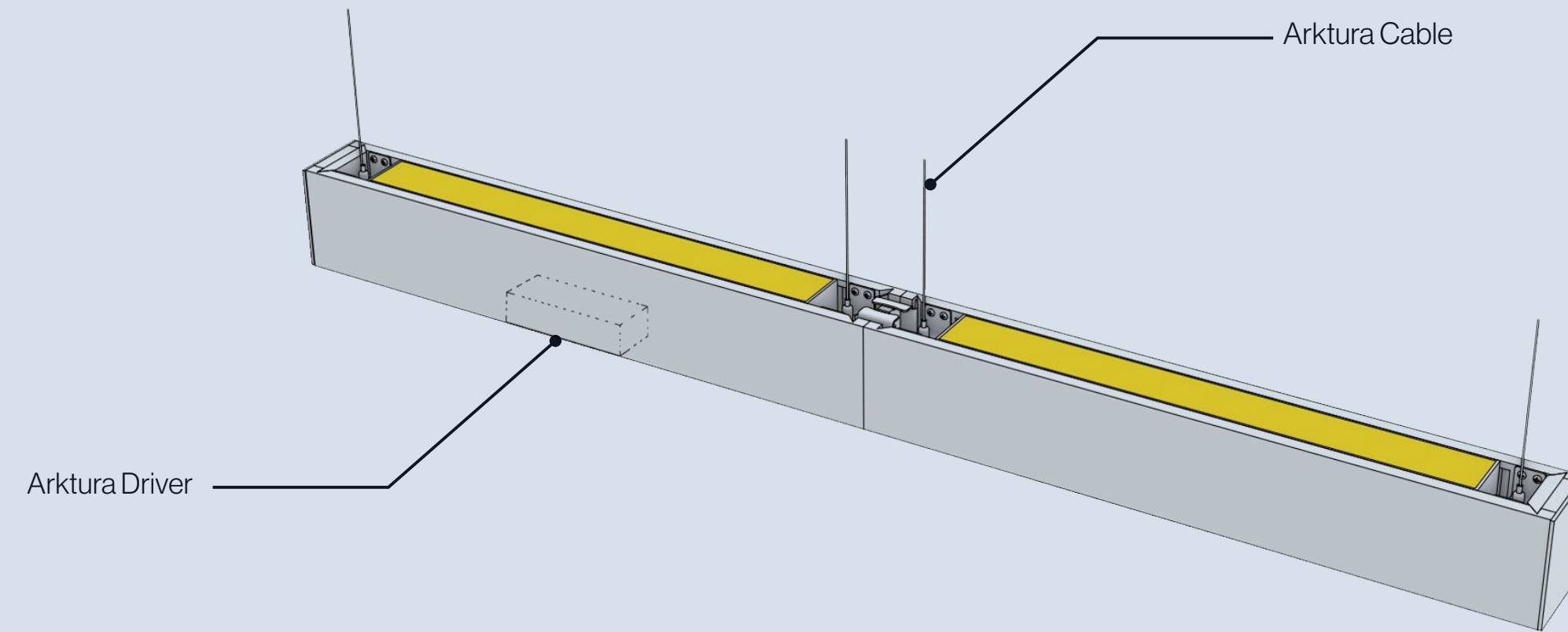


SoundBar® Down

SoundBar® modules utilize 1.5mm stainless cable and quick release attachments for ease of installation.

Joiner attachments are available for seamless bar to bar connection.

(A) Understanding the System (C) Optional Accessories (B) Available Finishes (D) Product Specifications

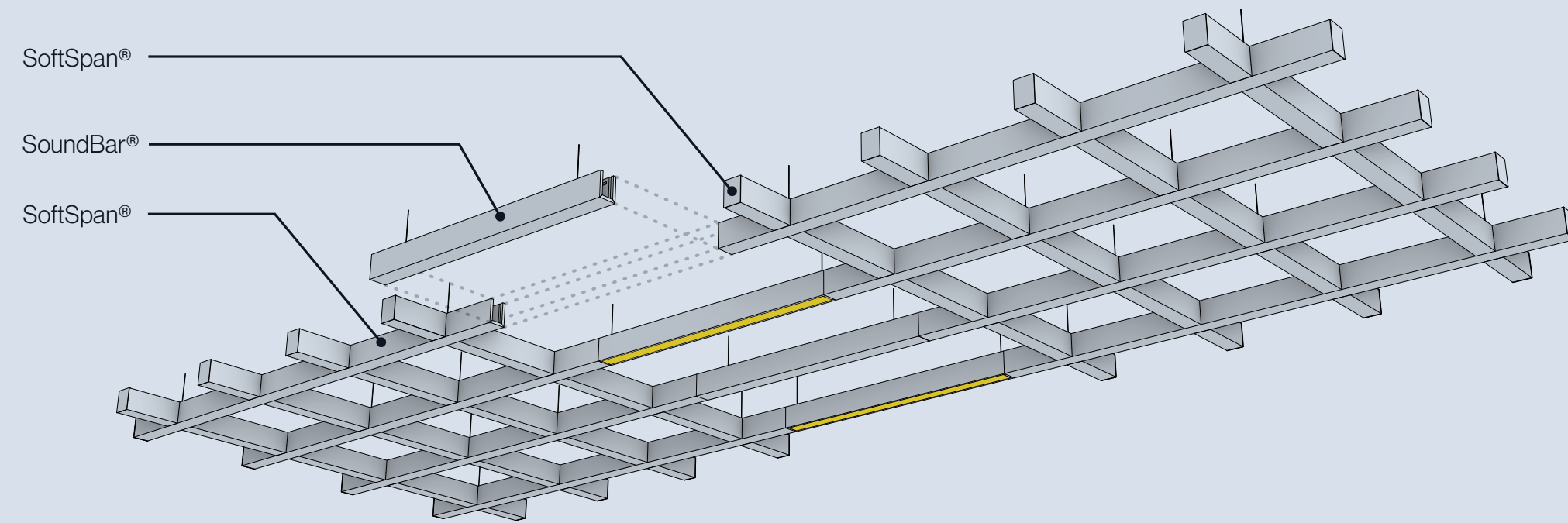


SoundBar® lights can be powered through the system's copper core stainless steel suspension cable.

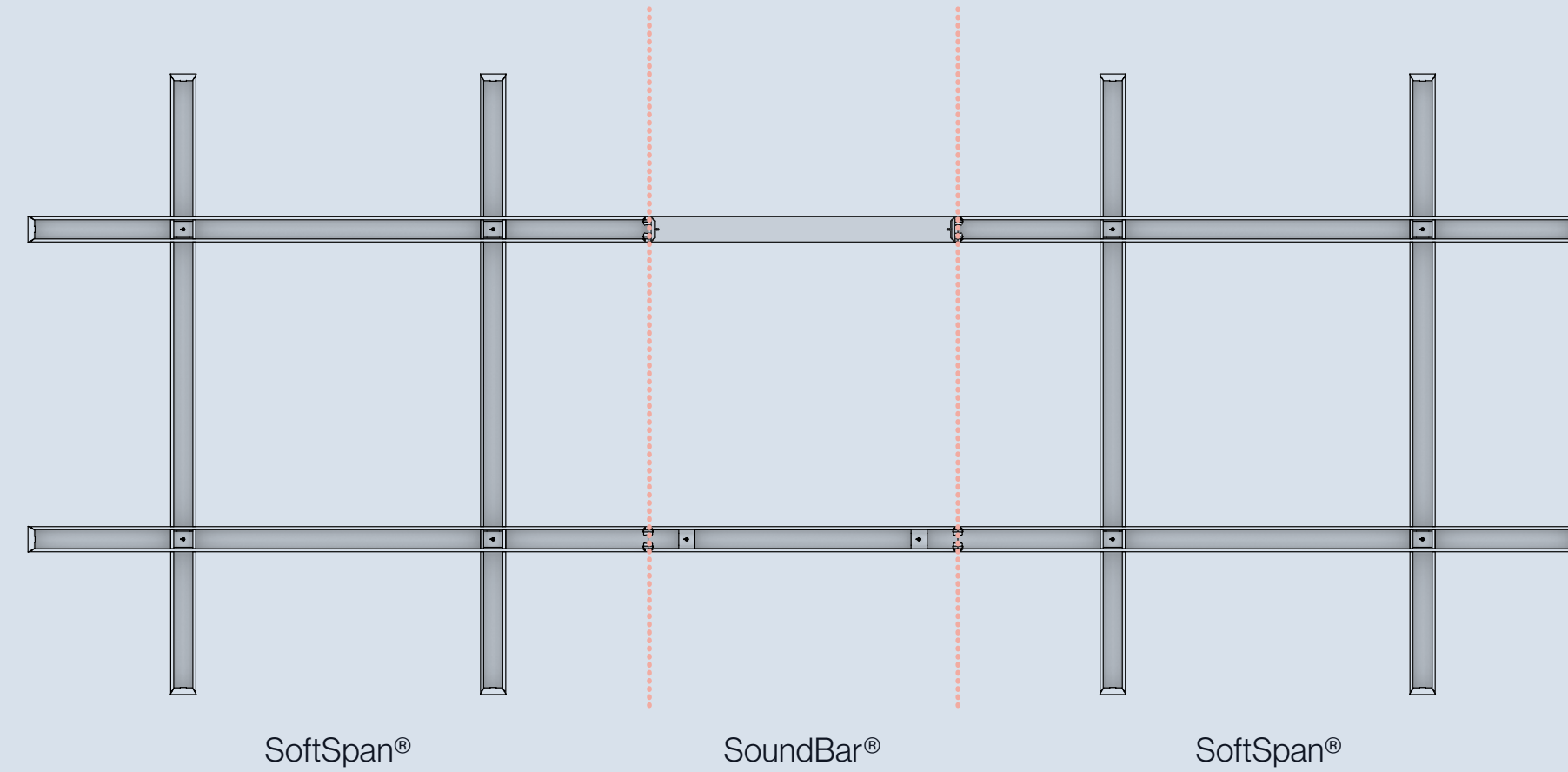
(A) Understanding the System (C) Optional Accessories (B) Available Finishes (D) Product Specifications

Example Perspective View

Example Perspective View



Example Plan View



Compatible SoundBar® Module Profiles

SoftSpan® 24

Compatible **SoundBar®** Module Profiles

Width	Height	Length
75	100	600,900,1200,1500, ,1800,2100,2400,2700

SoftSpan® 48

Compatible **SoundBar®** Module Profiles

Width	Height	Length
100	250	600,900,1200,1500, ,1800,2100,2400,2700

SoftSpan® 48A

Compatible **SoundBar®** Module Profiles

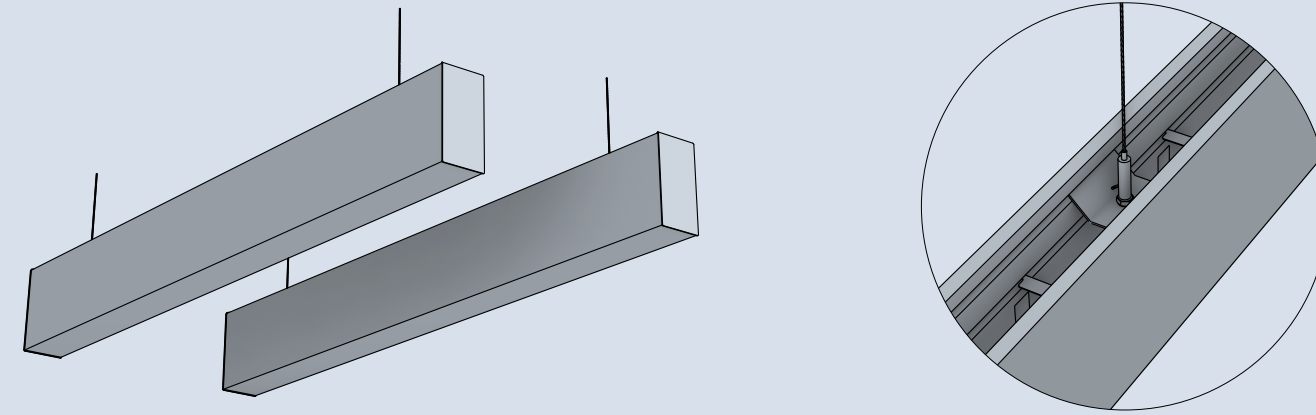
Width	Height	Length
100	150	600,900,1200,1500, ,1800,2100,2400,2700
100	250	600,900,1200,1500, ,1800,2100,2400,2700

Create unique layouts for acoustics and lighting by combining SoftSpan® modules and perimeter beams and corners with SoundBar® baffles. Our module joining bracket allows for simple connectivity between the two systems.

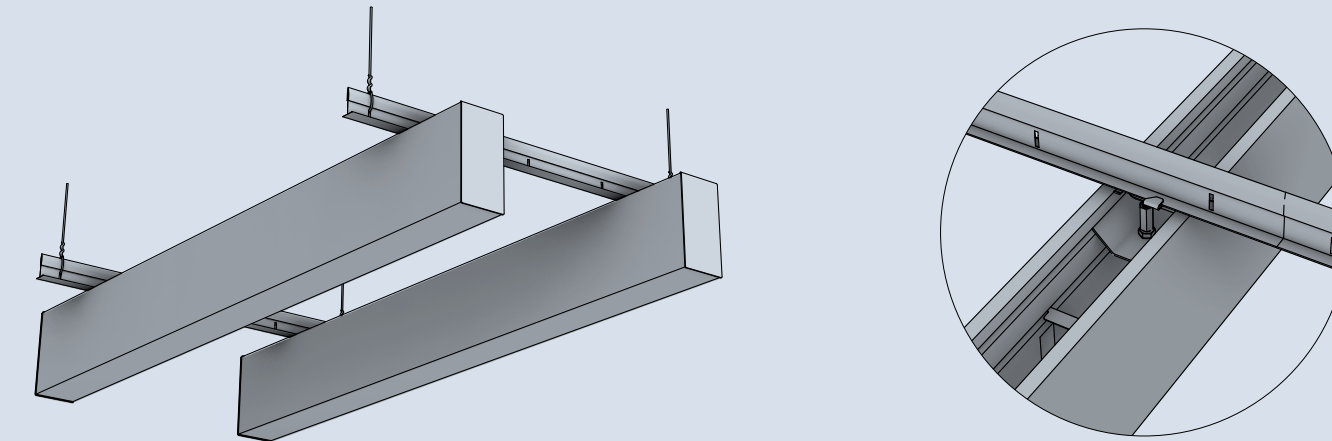
Connectivity with SoundBar®

(A) Understanding the System (C) Optional Accessories (B) Available Finishes (D) Product Specifications

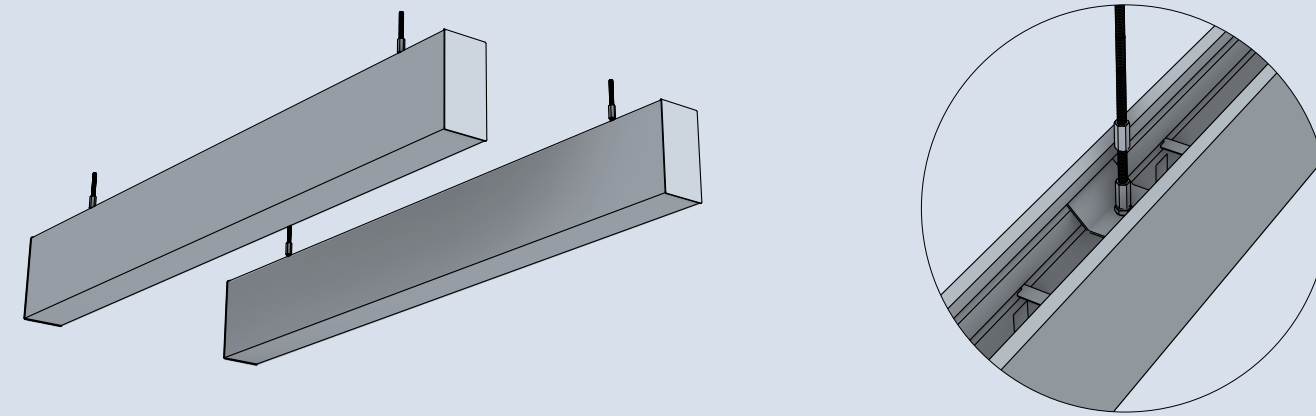
Cable Mount



Grid Mount

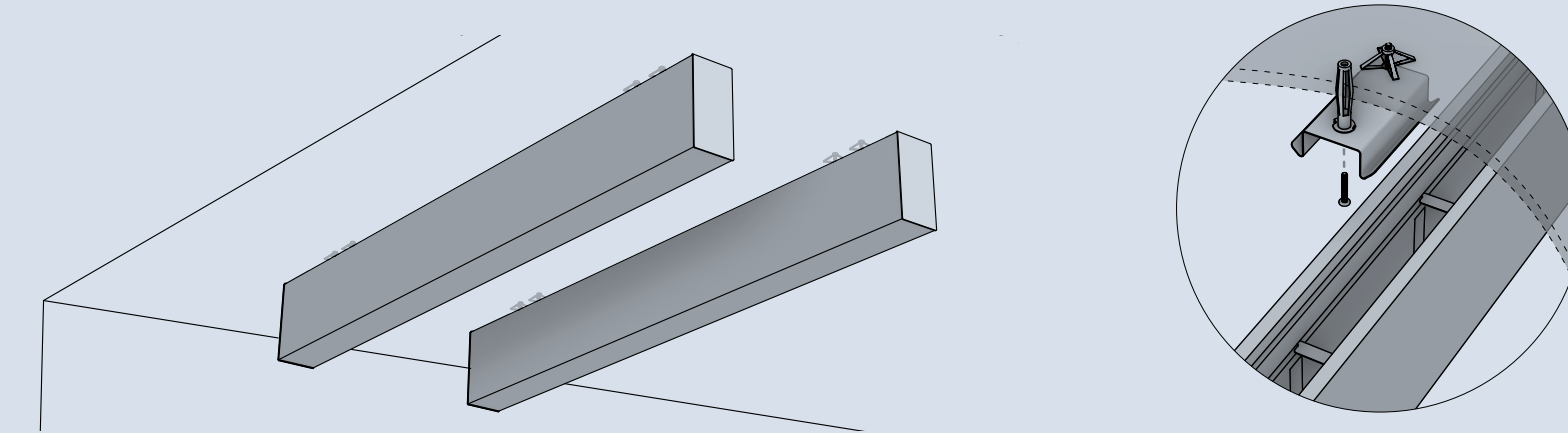


All Thread

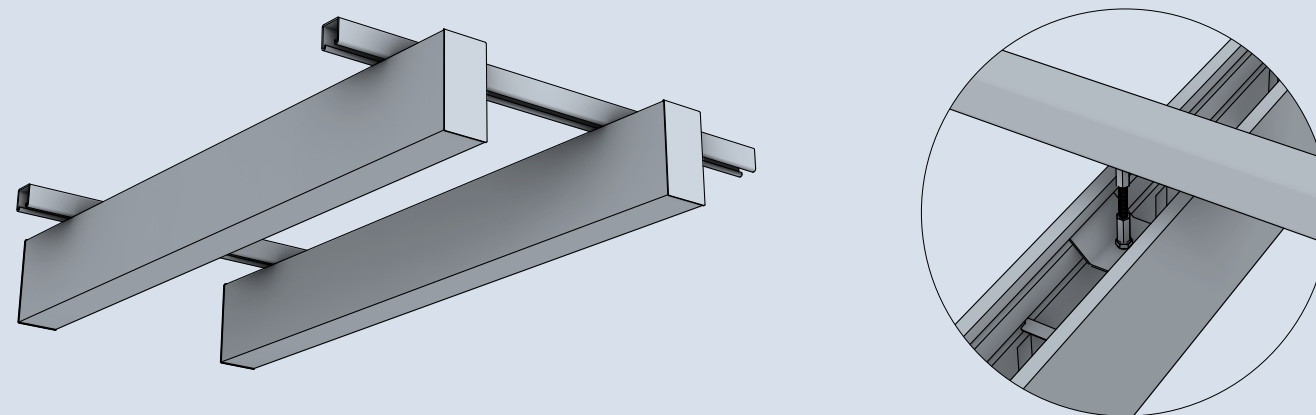


Direct Mount

Available in both wall & ceiling attachment.

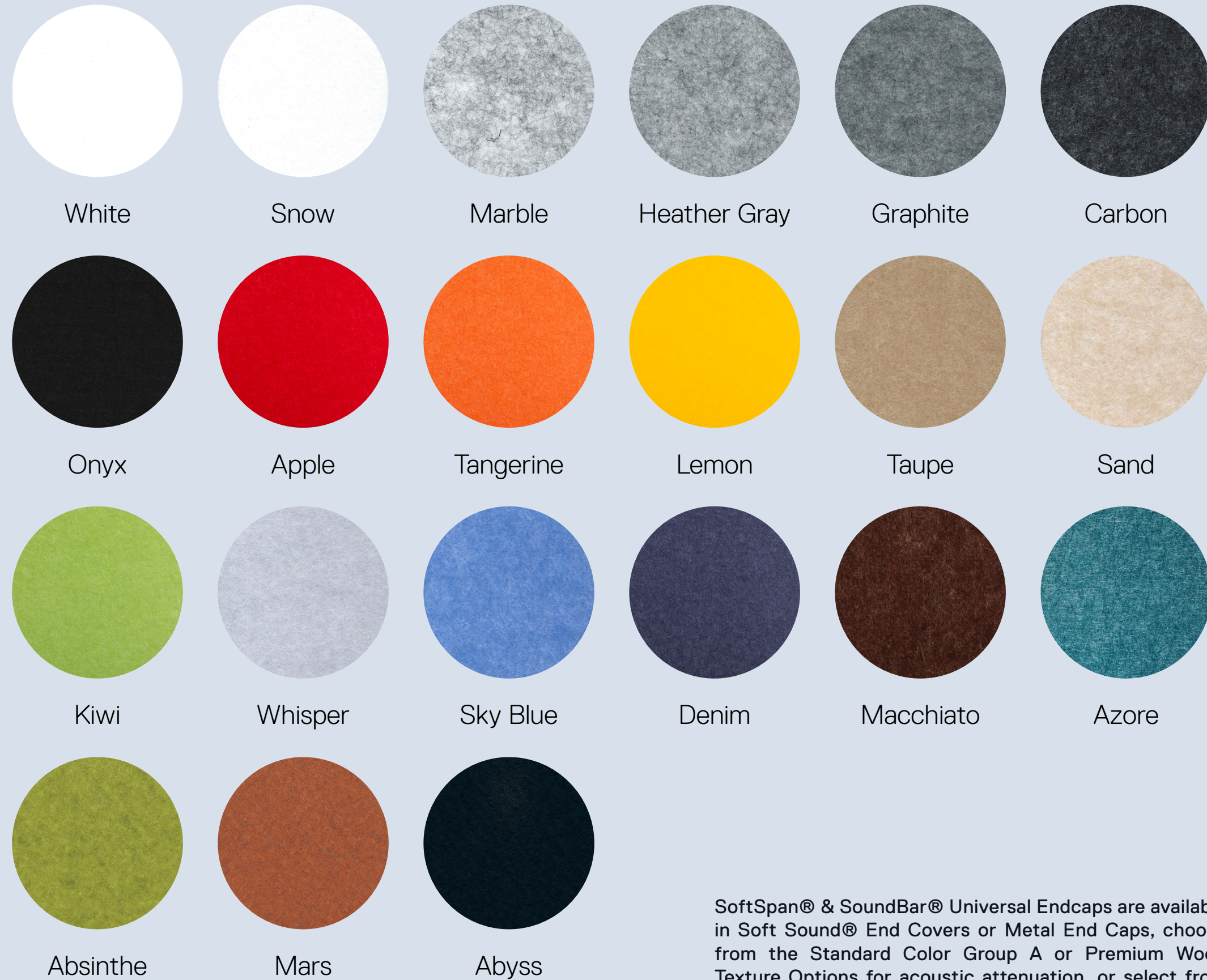


Strut Mount



SoundBar® modules utilize 1.5mm stainless cable and quick release attachments for ease of installation. Joiner attachments are available for seamless bar to bar connection.

(A) Understanding the System (C) Optional Accessories (B) Available Finishes (D) Product Specifications



SoftSpan® & SoundBar® Universal Endcaps are available in Soft Sound® End Covers or Metal End Caps, choose from the Standard Color Group A or Premium Wood Texture Options for acoustic attenuation, or select from our expanding Powder Coat finish options. The possibilities are seemingly endless.

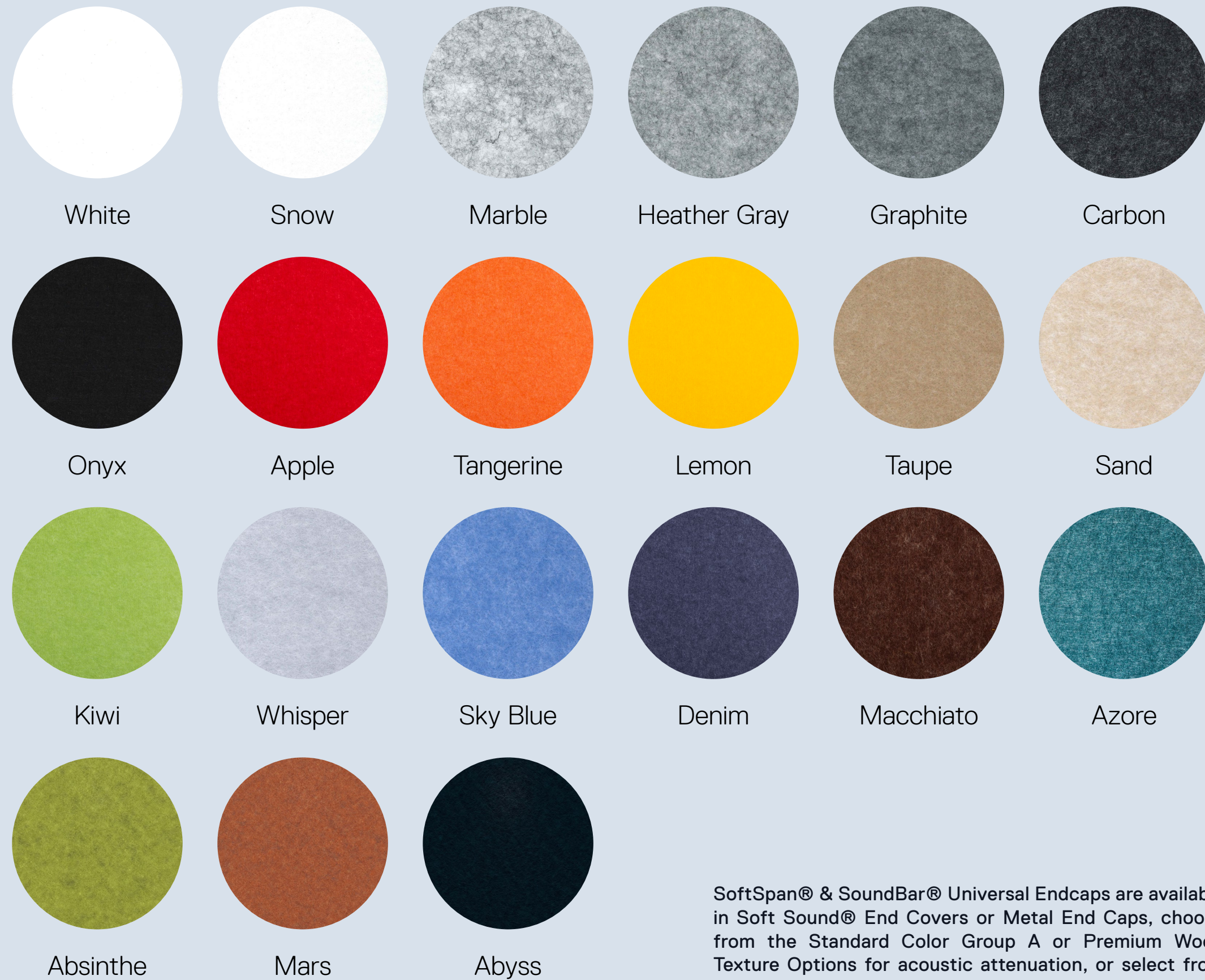


(i) Small circles indicate the core of texture.

As with natural wood, variation in color and grain is expected and grain will not align across panels.

Due to the nature of non-woven materials, light may pass through Soft Sound® in any thickness or color. A translucent appearance is most apparent in lighter colors and thin material when a light source is present behind the material. Arktura makes no claims or warranties about the material performing as opaque in any circumstance. To verify a products performance for light transmittance, a mockup of the specific intended use is recommended.

(A) Understanding the System (C) Optional Accessories (B) Available Finishes (D) Product Specifications



SoftSpan® & SoundBar® Universal Endcaps are available in Soft Sound® End Covers or Metal End Caps, choose from the Standard Color Group A or Premium Wood Texture Options for acoustic attenuation, or select from our expanding Powder Coat finish options. The possibilities are seemingly endless.



(i) Small circles indicate the core of texture.

As with natural wood, variation in color and grain is expected and grain will not align across panels.

Due to the nature of non-woven materials, light may pass through Soft Sound® in any thickness or color. A translucent appearance is most apparent in lighter colors and thin material when a light source is present behind the material. Arktura makes no claims or warranties about the material performing as opaque in any circumstance. To verify a products performance for light transmittance, a mockup of the specific intended use is recommended.

(A) Understanding the System (C) Optional Accessories (B) Available Finishes (D) Product Specifications

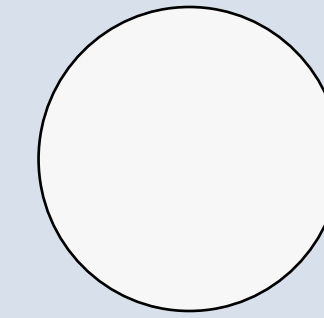


01) Universal Metal End Cap Color - Powder Coat - **STANDARD**



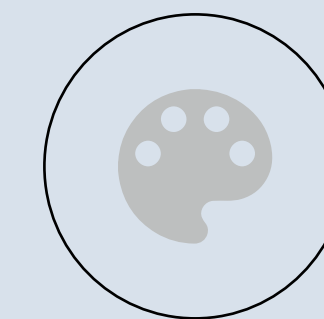
All premium and standard finishes shown are designed for interior specifications. Products may be specified for exterior use, and with all treatments required by local code or facility, including custom color match or specialty finishes. Any changes to specification from interior standard or interior premium will result in a custom powder coat fee.

02) **PREMIUM**

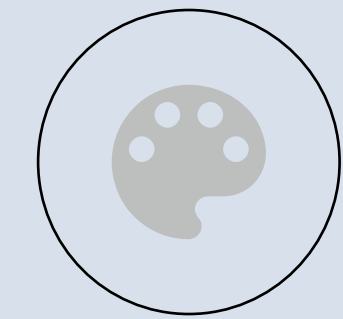


Optional Translucent Backer

Polycarbonate
Available in interior and UV stable exterior options.



Non-stock RAL



Non-stock Metallic

This color was designed to pair with Armstrong color "WH" grid and trim.

We offer premium non-stock RAL and custom color match options as well. Contact your sales rep for more information.

03) **CUSTOM**

(A) Understanding the System (C) Optional Accessories (B) Available Finishes (D) Product Specifications

Dimensions (WxLxD)	Widths: 75	100, 150 & 250	600, 900, 1200, 1500, 1800, 2100, 2400 & 2700
Dimensions (WxLxD)	Widths: 100	150 & 250	600, 900, 1200, 1500, 1800, 2100, 2400 & 2700
Material	12mm Soft Sound® (PET)		
Fire Rating	ASTM E84 - Class A		
Attachment Method	Cable Hung, All Thread, Strut Mount, Grid Mount, Direct Mount		
Accessibility	Yes, quick release cables		
Acoustics	True NRC® 1.15: SoundBar® (100 x 250 x 2400) 150mm O.C ; F-100 Method		
	True NRC® 0.90: SoundBar® (100 x 250 x 2400) 300mm O.C ; F-100 Method		
	True NRC® 0.55: SoundBar® (75 x 250 x 2400) 150mm O.C ; F-100 Method		
	True NRC® 0.40: SoundBar® (75x 250 x 2400) 300mm" O.C ; F-100 Method		

(A) Understanding the System (C) Optional Accessories (B) Available Finishes (D) Product Specifications

Declare.

SoundBar® + SoundAngle®
Arktura, LLC

Final Assembly: Gardena, California, USA
Life Expectancy: 40 Years
End of Life Options: Salvageable/Reusable in its Entirety, Recyclable (100%)

Ingredients:

Soft Sound® Baffle: Polyethylene Terephthalate (PET); **Structure:** Aluminum; **Hardware:** Stainless Steel, Polyurethane Foams, Nylon 6; **Material Content:** Copper, Zinc, Lead, Tin, Organic, Iron, Nickel (Metallic), Aluminum, Manganese, Antimony, Silicon

Living Building Challenge Criteria:

ARK-0005	EXP. 01 JUL 2020
VOC Content: N/A	VOC Emissions: CDPH Compliant
Declaration Status	<input type="checkbox"/> LBC Red List Free
	<input type="checkbox"/> LBC Compliant
	<input checked="" type="checkbox"/> Declared

MANUFACTURER RESPONSIBLE FOR LABEL ACCURACY
INTERNATIONAL LIVING FUTURE INSTITUTE™ declareproducts.com

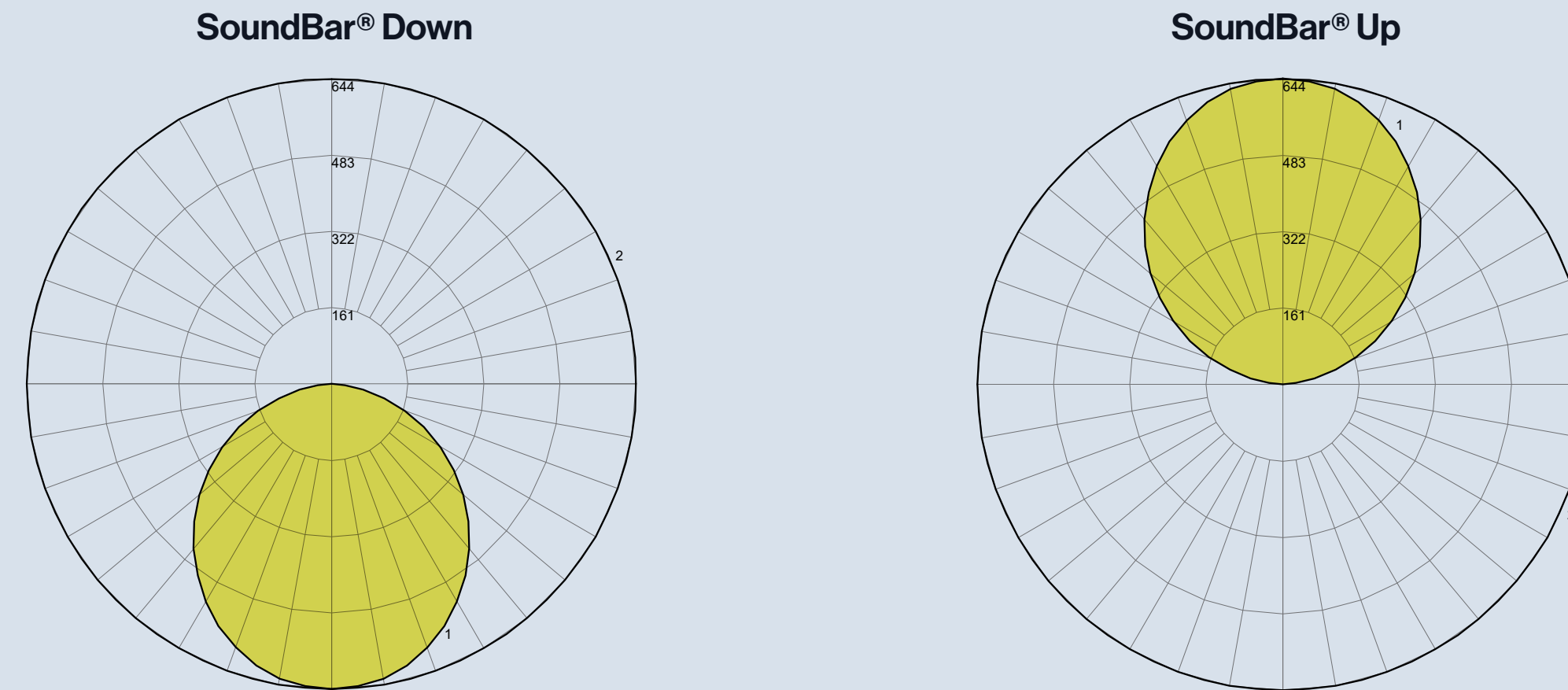


(A) Understanding the System (C) Optional Accessories (B) Available Finishes (D) Product Specifications

Specs Chart

	SoundBar® Up or Down	
	Up/Down Eco	Up/Down
Color Temperature	3000k , 3500k , 4000k	
CRI	95+	
Total Lumens	2': 1280 Lm	2': 2560 Lm
	3': 1920 Lm	3': 3840 Lm
	4': 2560 Lm	4': 5120 Lm
	5': 3200 Lm	5': 6400 Lm
	6': 3840 Lm	6': 7680 Lm
	7': 4480 Lm	7': 8960 Lm
	8': 5120 Lm	8': 10240 Lm
	Delivered lumens	2': 960 Lm
3': 1440 Lm		3': 2880 Lm
4': 1920 Lm		4': 3840 Lm
5': 2400 Lm		5': 4800 Lm
6': 2880 Lm		6': 5760 Lm
7': 3360 Lm		7': 6720 Lm
8': 3840 Lm		8': 7680 Lm
Power Consumption		2': 12W
	3': 18W	3': 36W
	4': 24W	4': 48W
	5': 30W	5': 60W
	6': 36W	6': 72W
	7': 42W	7': 84W
	8': 48W	8': 96W
	Dimming Options	MLV1-10v, 0-10v.

Photometrics



(A) Understanding the System (C) Optional Accessories (B) Available Finishes (D) Product Specifications

French Regulations	A+
Italian Regulations	✓
M1	M1
BREEAM	✓
LEED	✓
AgBB/ABG	✓

X: Not Compliant
✓: Compliant



[PENDING]

Our low to no VOC levels comply with the above regulations and certifications.

(A) Understanding the System (C) Optional Accessories (B) Available Finishes (D) Product Specifications

Each SoundBar Module is Made from 150 Recycled Water Bottles.



NOWN

ARKTURA